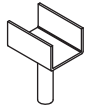
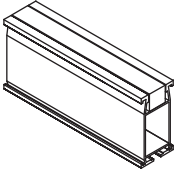

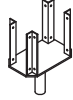
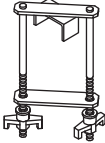

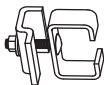
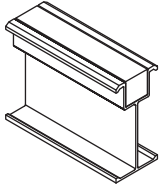
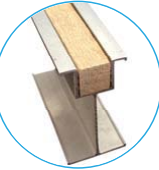
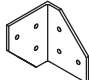

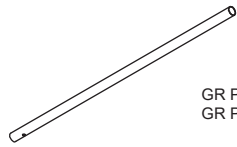
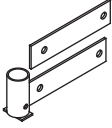
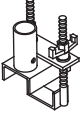
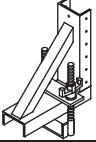
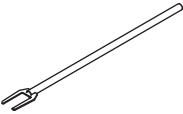
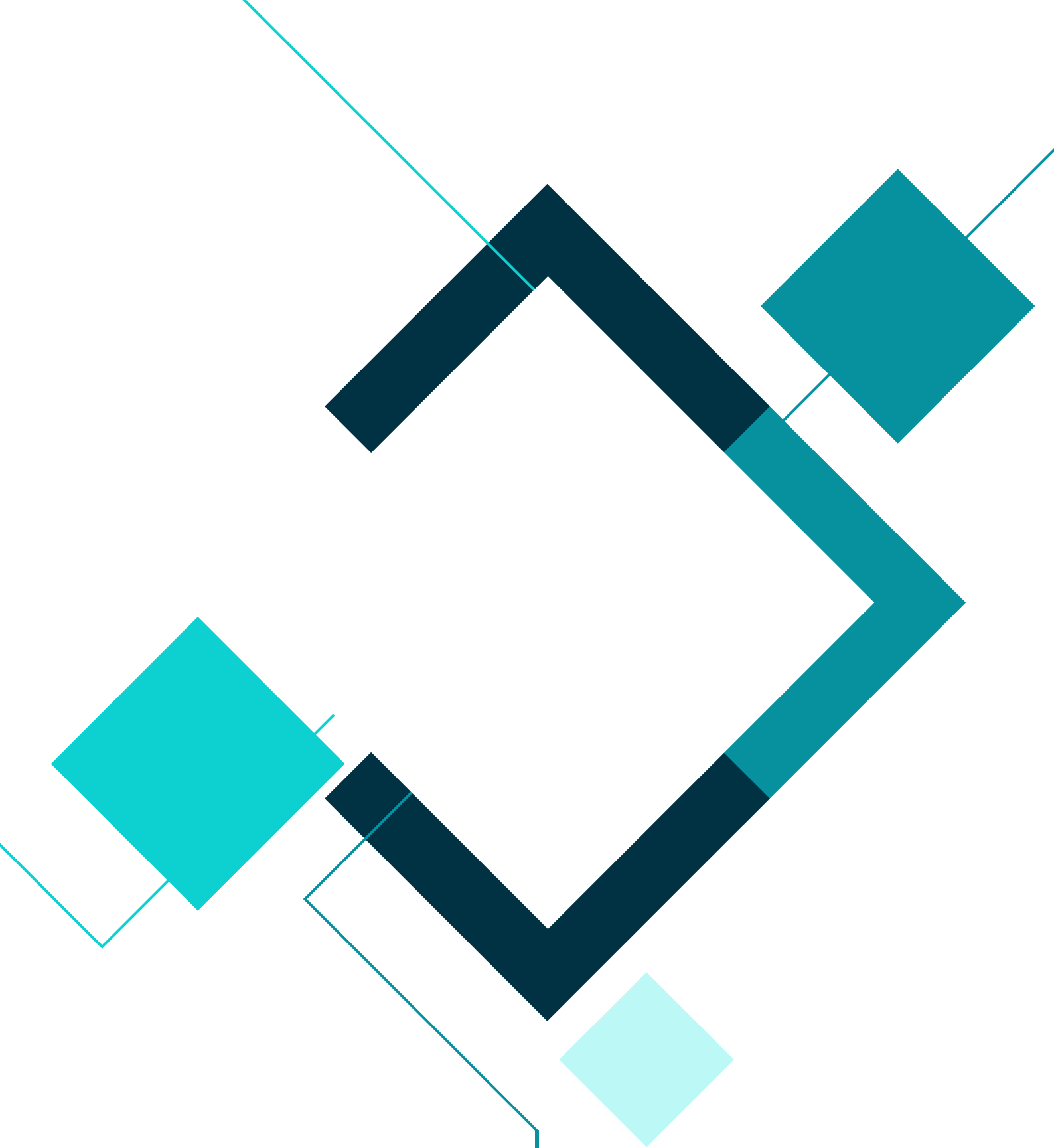


Aluminium Beam



Aluminum Beam (AB) T150			Supporting Forkhead (SFH)		
	Wt. (kg)	Code		Wt. (kg)	Code
With Timber					
			SFH 10 x 17 x 20 - Painted	3.88	FGF99006
			SFH 10 x 17 x 20 - E/P	3.88	FGF99006E
			<i>Finish: Painted Blue</i>		
			SFH - 38 Painted	2.16	XESSFH
			SFH - 38 E/P	2.16	XESSFHE
			<i>Finish: Painted Blue</i>		
Without Timber			Universal Forkhead - Aluminium		
					
			Universal Forkhead - Aluminium	2.83	XESUFHAL
			<i>Finish: Mill Finish</i>		
<i>Moment of resistance: 13.00 kN.m</i>			Universal Brace Strip Alum		
<i>Area: 18.87 cm</i>					
<i>Inertia xx: 574.3 cm</i>			Universal Brace Strip Alum		
<i>Inertia yy: 147.4 cm</i>				3.16	FGFE9010
<i>Section modulus Zxx: 75.36 cm</i>			<i>Finish: Electroplated</i>		
<i>Young's Modulus 69000 N/mm</i>					
<i>Weight: 5.80 kg/m (with Timber)</i>					
<i>5.05 kg/m (without Timber)</i>					
<i>Timber Wt.=0.75 kg/m</i>					
			Universal Clamp (Aluminum to Soldier)		
					
			Universal Clamp EP (Aluminum to Soldier)	0.57	FSS99E027
			<i>Finish: Electroplated</i>		
Aluminum Beam (AB) S150			H20 C-Clamp (Soldier to H20)		
With Timber					
			H20 C-Clamp (Soldier to H20)	0.90	XFGH20C
			<i>Height: 9 cm</i>		
			<i>Width: 7.5 cm</i>		
			<i>Finish: Painted</i>		
			Angle Connector H20		
					
			Angle Connector H20	0.33	FFFAC002
			<i>Finish: Mill Finish</i>		
<i>moment of resistance: 6.80 kN.m</i>			Angle Connector (H20 - 40)		
<i>Area: 11.96 cm</i>					
<i>Inertia xx: 356 cm</i>			Angle Connector (H20 - 40)		
<i>Inertia yy: 43.764 cm</i>				0.54	FFFAC001
<i>Section Modulus Zxx: 47.15 cm</i>					
<i>Young's Modulus: 69000 N/mm</i>					
<i>Weight: 3.95 kg/m (with Timber)</i>					
<i>3.20 kg/m (without Timber)</i>					
<i>Timber Wt.=0.75 kg/m</i>					
			GR Post 150		
					
			GR Post 150 (P)	3.57	FGDGRP150
			GR Post 150 (EP)	3.57	FGDGRE150
			Length: 150 cm		
			Dia.: 48.3 mm		
			With Nut & Bolt M12 x100		

	Wt. (kg)	Code
Unified GR Bracket		
	Unified GR-Bracket with 1no.M12X100 and 2no.M16X150 Bolt & Nut - Painted 3.65	FGDGRUBP001
	Unified GR-Bracket with 1no.M12X100 and 2no.M16X150 Bolt & Nut - EP 3.65	FGDGRUBE001
Attached to the H20 Beams with M16x75 mm bolt & nut (full threaded)		
Tube dia.: 60.3mm		
Universal GR Bracket		
	Universal GR Bracket - Painted 4.32	FGDGRUBP
Tube dia.: 60.3mm		
Beam Frame		
	Beam Frame (P) 6.57	FGDBFP
	Beam Frame (EP) 6.57	FGDBFE
	Beam Frame (GI) 6.57	FGDBFG
Beam Fork		
	Beam Fork (P) 4.46	FGFBFP0001
Length: 171 cm Dia.: 48.3 mm		



Abu Dhabi

Dubai

T: +971 2 5500688

T: +971 4 8862855

F: +971 2 5500689

F: +971 4 5562558

P.O. BOX: 41851, Abu Dhabi, UAE

P.O. BOX: 18234, Jebel Ali, UAE

WWW.SCAFFCO.COM