



 **SCAFFCO**  
*Formwork & Scaffolding*

# Climbing System

## Climbing Bracket System

The Optimal System to Climb Safely to any Height .....	220
Components .....	222

## PS 200 - Climbing Bracket System

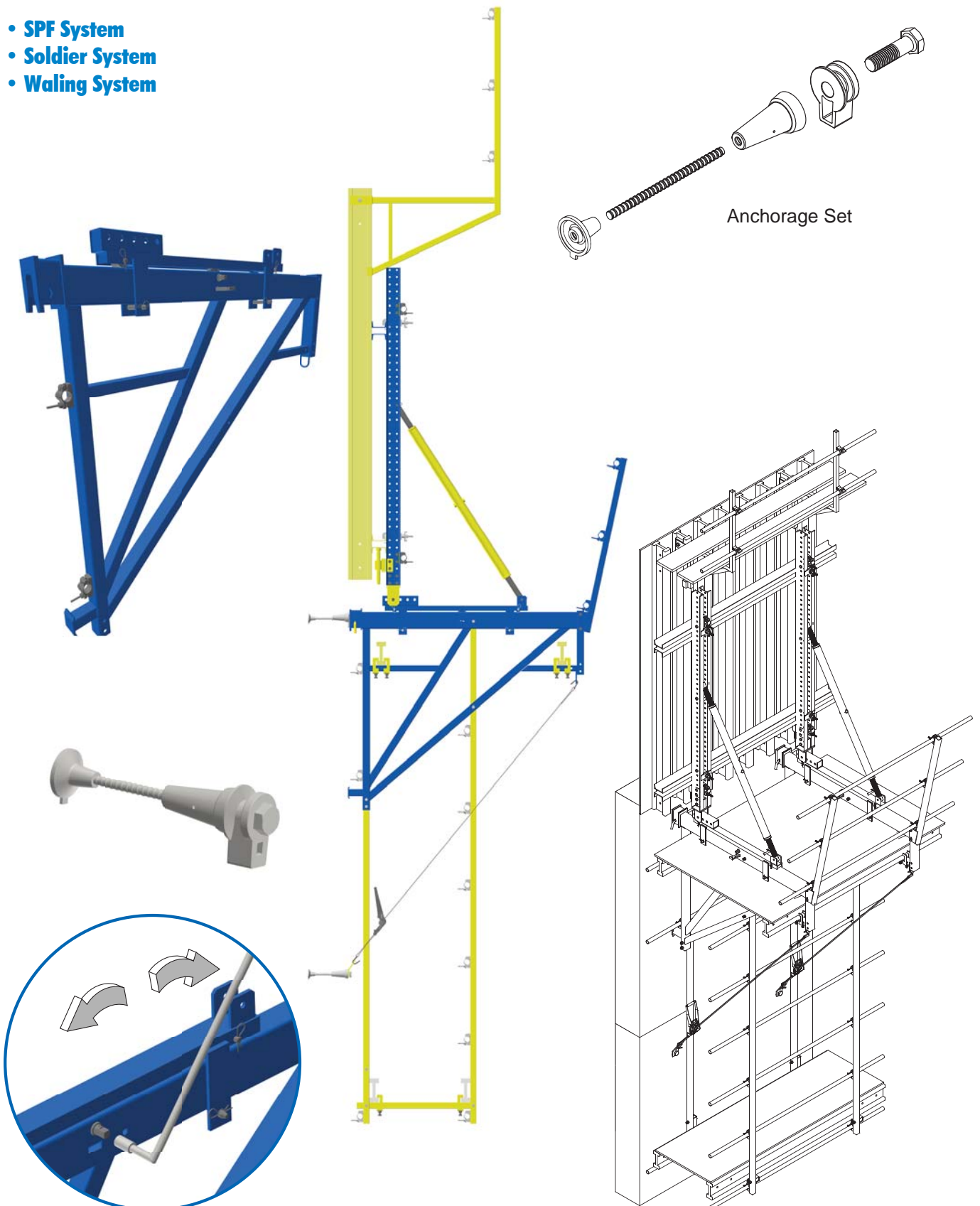
### The Optimal System to Climb Safely to any Height

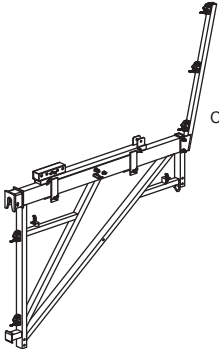
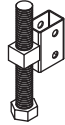

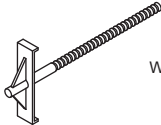

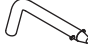
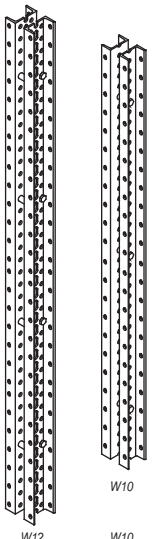
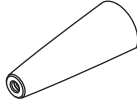
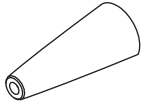
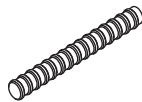

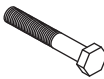


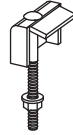

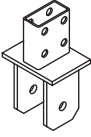


The PS 200 Climbing Bracket is widely used for concrete pouring in piers and high-rise buildings in varying structure. The concrete lateral pressure is entirely supported by an anchor system and the wall, through tie-rods without needing additional reinforcement. The resulting construction is easy, fast, safe and economical maintaining a slick concrete surface. The biggest advantage of PS 200 is it is very safe and convenient to use.

### Various types of formwork can be used with PS 200

- **SPF System**
- **Soldier System**
- **Waling System**



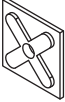
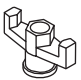

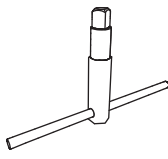
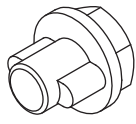
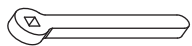
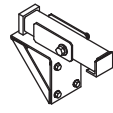
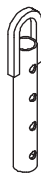

		Wt. (kg)	Code			Wt. (kg)	Code
<b>Climbing Bracket PS-200</b>				<b>Height Adjustment Spindle</b>			
	Climbing Bracket PS-200 (Z)	121.36	FCSCBPS200		Height Adjustment Spindle PS-200 (For Waler ) (Z)	3.81	XCS029
<b>Service Bracket PS 200</b>				<b>Waling to Strongback Holder</b>			
	Service Bracket PS 200	38.86	FCSSBPS200		Waling to Strongback Holder CB200	1.01	FCSCBPJ20021
<b>Climbing Belt (Z)</b>				<b>Locking Pin of the Climbing Head</b>			
	Climbing Belt (Z)	1.82	XCS031		Locking Pin of the Climbing Head (Ø 20-254) (Z)	0.60	FCSCBPJ20008
<b>Steel Waling (SW)</b>				<b>Bowel Cone</b>			
	SW 120x55 - 030 cm SW 120x55 - 060 cm SW 120x55 - 090 cm SW 120x55 - 120 cm SW 120x55 - 150 cm SW 120x55 - 180 cm SW 120x55 - 210 cm SW 120x55 - 240 cm SW 120x55 - 270 cm SW 120x55 - 300 cm	7.66 14.73 21.81 28.88 36.52 43.32 50.40 57.76 64.84 72.20	FWS02P030 FWS02P060 FWS02P090 FWS02P120 FWS02P150 FWS02P180 FWS02P210 FWS02P240 FWS02P270 FWS02P300		Bowel Cone (M30xD15) (Z)	1.20	XCSCBC006
	SW 100x50 - 50 cm SW 100x50 - 75 cm SW 100x50 - 100 cm SW 100x50 - 125 cm SW 100x50 - 150 cm SW 100x50 - 175 cm SW 100x50 - 200 cm SW 100x50 - 225 cm SW 100x50 - 250 cm SW 100x50 - 275 cm SW 100x50 - 300 cm	10.44 15.37 20.30 25.32 30.44 35.37 40.30 45.23 50.45 55.38 60.31	FWS03P050 FWS03P075 FWS03P100 FWS03P125 FWS03P150 FWS03P175 FWS03P200 FWS03P225 FWS03P250 FWS03P275 FWS03P300	<b>Plastic Sleeve</b>			
					Plastic Sleeve For Bowel Cone (M30xD15)	0.021	XCS039
				<b>Tie Rod</b>			
					Tie Rod 015 CM Black Tie Rod 020 CM Black Tie Rod 025 CM Black Tie Rod 030 CM Black	0.23 0.31 0.39 0.47	XFGTRB015 XFGTRB020 FGTRB025 XFGTRB030
				<b>Threaded Anchor Plate</b>			
					Threaded Anchor Plate D15 (Lost Item) (Z)	0.50	FCSCBPJ20019
				<b>Hex. Bolt</b>			
					Hex. Bolt M30, L=110 (Z) EP	0.79	FCSCBPJ20020
				<b>Mounting Ring PS200</b>			
					Mounting Ring PS200	1.35	FCSCBPJ20016
				<b>Belt Connector Plate</b>			
					Belt Connector Plate PS-200 (Z)	0.65	XCS028
				<b>Single H20 Universal Clamp</b>			
					Single H20 Universal Clamp - EP Single H20 Universal Clamp - Painted	0.54 0.54	XCSSHUCE01 XCSSHUCP01
				<b>Single Universal Clamp</b>			
					Single Universal Clamp - EP Single Universal Clamp - Painted	0.43 0.43	XCSSUCE001 XCSSUCP001
				<b>Steel Waling Carriage Head</b>			
	Steel Waling Carriage Head ( For Waler ) (Z)	4.65	XCS027				

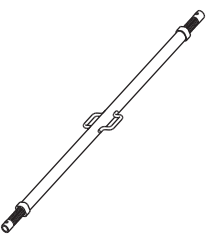
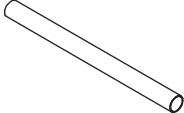
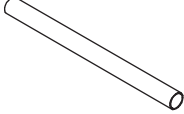
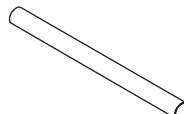
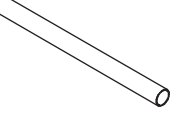
The Waling available in heights starting by 30 cm up to 300 cm with 30 cm intervals.

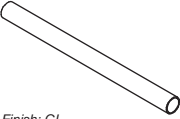
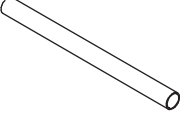
Finish: Painted

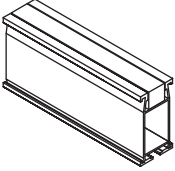
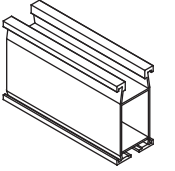
(With Carriage Bolt Nut & Washer 12x130 half Thread)

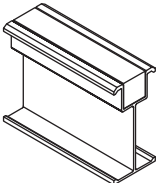
(With Carriage Bolt Nut & Washer 12x130 half Thread)

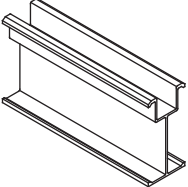
		Wt. (kg)	Code
<b>Counter Plate</b>			
	Counter Plate 12x12 cm <i>Finish: Electroplated</i>	0.72	XFGCP80E12
<b>Wing Nut</b>			
	Wing Nut D15	0.31	FCSCBPJ20023
<b>Round Wing Nut</b>			
	Round Wing Nut (Anchor Nut) <i>Finish: Electroplated DIA.: 100 mm</i>	0.63	XANUT15100
<b>Square Spanner 20</b>			
	Square Spanner 20 EP	4.25	XCS018
<b>Tool For Removing Cone M30/D15</b>			
	Tool For Removing Cone M30/D15 EP	0.29	FGTORCM30
<b>Climbing Shifting Spanner</b>			
	Climbing Shifting Spanner PS-200 (Z) -EP	1.60	XCS030
<b>Internal Climbing Head</b>			
	Internal Climbing Head	19.50	FCSICHP01
<b>Lifting Bracket Adjustable</b>			
	Lifting Bracket Adjustable	5.13	FCSLBAP01
<b>Universal Clamp (Aluminum to Soldier)</b>			
	Universal Clamp E/P (Aluminum to Soldier) <i>Finish: Electroplated</i>	0.57	FSS99E027

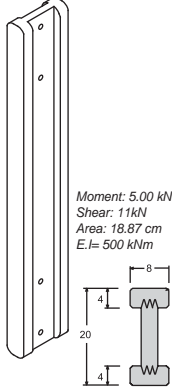
		Wt. (kg)	Code
<b>Single Stabilizer (SS)</b>			
	SS 48-150 cm Painted	8.83	FSZS3848P150
	SS 48-200 cm Painted	10.71	FSZS3848P200
	SS 48-250 cm Painted	12.63	FSZS3848P250
	SS 48-300 cm Painted	14.72	FSZS3848P300
	SS 48-350 cm Painted	16.8	FSZS3848P350
	SS 48-400 cm Painted	19.74	FSZS3848P400
	SS 48-150 cm E/P	8.83	FSZS3848E150
	SS 48-200 cm E/P	10.71	FSZS3848E200
	SS 48-250 cm E/P	12.63	FSZS3848E250
	SS 48-300 cm E/P	14.72	FSZS3848E300
	SS 48-350 cm E/P	16.8	FSZS3848E350
	SS 48-400 cm E/P	19.74	FSZS3848E400
	SS 60-150 cm Painted	10.70	FSZS3860P150
	SS 60-200 cm Painted	13.08	FSZS3860P200
	SS 60-250 cm Painted	15.55	FSZS3860P250
	SS 60-300 cm Painted	18.19	FSZS3860P300
	SS 60-350 cm Painted	20.84	FSZS3860P350
	SS 60-400 cm Painted	24.34	FSZS3860P400
SS 60-450 cm Painted	26.99	FSZS3860P450	
SS 60-500 cm Painted	29.64	FSZS3860P500	
SS 60-550 cm Painted	32.28	FSZS3860P550	
SS 60-600 cm Painted	34.93	FSZS3860P600	
SS 60-700 cm Painted	40.22	FSZS3860P700	
SS 60-150 cm E/P	10.70	FSZS3860E150	
SS 60-200 cm E/P	13.08	FSZS3860E200	
SS 60-250 cm E/P	15.55	FSZS3860E250	
SS 60-300 cm E/P	18.19	FSZS3860E300	
SS 60-350 cm E/P	20.84	FSZS3860E350	
SS 60-400 cm E/P	24.34	FSZS3860E400	
SS 60-450 cm E/P	26.99	FSZS3860E450	
SS 60-500 cm E/P	29.64	FSZS3860E500	
SS 60-550 cm E/P	32.28	FSZS3860E550	
SS 60-600 cm E/P	34.93	FSZS3860E600	
SS 60-700 cm E/P	40.22	FSZS3860E700	
<b>ScaffoldTube (ST) Painted</b>			
	<b>M.D. Tube</b>		
	ST 100 cm MD	2.28	FSTP20100
	ST 150 cm MD	3.42	FSTP20150
	ST 200 cm MD	4.57	FSTP20200
	ST 250 cm MD	5.71	FSTP20250
	ST 300 cm MD	6.85	FSTP20300
	ST 350 cm MD	7.99	FSTP20350
	ST 400 cm MD	9.13	FSTP20400
	ST 450 cm MD	10.27	FSTP20450
	ST 500 cm MD	11.42	FSTP20500
	ST 550 cm MD	12.56	FSTP20550
	ST 600 cm MD	13.70	FSTP20600
	<b>H.D. Tube</b>		
	ST 100 cm HD	3.35	FSTP30100
	ST 150 cm HD	5.03	FSTP30150
	ST 200 cm HD	6.70	FSTP30200
	ST 250 cm HD	8.38	FSTP30250
	ST 300 cm HD	10.05	FSTP30300
	ST 350 cm HD	11.73	FSTP30350
	ST 400 cm HD	13.41	FSTP30400
	ST 450 cm HD	15.08	FSTP30450
	ST 500 cm HD	16.76	FSTP30500
	ST 550 cm HD	18.43	FSTP30550
	ST 600 cm HD	20.11	FSTP30600
<b>Scaffold Tube (ST) Black</b>			
	<b>M.D. Tube</b>		
	ST 100 cm MD	2.28	FSTN20100
	ST 150 cm MD	3.42	FSTN20150
	ST 200 cm MD	4.57	FSTN20200
	ST 250 cm MD	5.71	FSTN20250
	ST 300 cm MD	6.85	FSTN20300
	ST 350 cm MD	7.99	FSTN20350
	ST 400 cm MD	9.13	FSTN20400
	ST 450 cm MD	10.27	FSTN20450
	ST 500 cm MD	11.42	FSTN20500
	ST 550 cm MD	12.56	FSTN20550
	ST 600 cm MD	13.70	FSTN20600
	<b>H.D. Tube</b>		
	ST 100 cm HD	3.35	FSTN30100
	ST 150 cm HD	5.03	FSTN30150
	ST 200 cm HD	6.70	FSTN30200
	ST 250 cm HD	8.38	FSTN30250
	ST 300 cm HD	10.05	FSTN30300
	ST 350 cm HD	11.73	FSTN30350
	ST 400 cm HD	13.41	FSTN30400
	ST 450 cm HD	15.08	FSTN30450
	ST 500 cm HD	16.76	FSTN30500
	ST 550 cm HD	18.43	FSTN30550
	ST 600 cm HD	20.11	FSTN30600

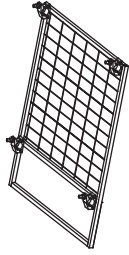
Scaffold Tube (ST) GI		Wt. (kg)	Code
<b>M.D. Tube</b>			
	ST 100 cm MD	2.28	FSTG20100
	ST 150 cm MD	3.42	FSTG20150
	ST 200 cm MD	4.57	FSTG20200
	ST 250 cm MD	5.71	FSTG20250
	ST 300 cm MD	6.85	FSTG20300
	ST 350 cm MD	7.99	FSTG20350
	ST 400 cm MD	9.13	FSTG20400
	ST 450 cm MD	10.27	FSTG20450
	ST 500 cm MD	11.42	FSTG20500
	ST 550 cm MD	12.56	FSTG20550
	ST 600 cm MD	13.70	FSTG20600
	<b>H.D. Tube</b>		
	ST 100 cm HD	3.35	FSTG30100
	ST 150 cm HD	5.03	FSTG30150
	ST 200 cm HD	6.70	FSTG30200
	ST 250 cm HD	8.38	FSTG30250
	ST 300 cm HD	10.05	FSTG30300
	ST 350 cm HD	11.73	FSTG30350
	ST 400 cm HD	13.41	FSTG30400
	ST 450 cm HD	15.08	FSTG30450
	ST 500 cm HD	16.76	FSTG30500
	ST 550 cm HD	18.43	FSTG30550
ST 600 cm HD	20.11	FSTG30600	

Aluminum Beam (AB) T150			
<b>With Timber</b>			
	AB T-150 (150 x 80) 050 cm	2.92	FABTT050
	AB T-150 (150 x 80) 075 cm	4.37	FABTT075
	AB T-150 (150 x 80) 100 cm	5.83	FABTT100
	AB T-150 (150 x 80) 125 cm	7.29	FABTT125
	AB T-150 (150 x 80) 150 cm	8.75	FABTT150
	AB T-150 (150 x 80) 175 cm	10.20	FABTT175
	AB T-150 (150 x 80) 200 cm	11.66	FABTT200
	AB T-150 (150 x 80) 225 cm	13.12	FABTT225
	AB T-150 (150 x 80) 250 cm	14.58	FABTT250
	AB T-150 (150 x 80) 275 cm	16.03	FABTT275
	AB T-150 (150 x 80) 300 cm	17.49	FABTT300
	AB T-150 (150 x 80) 325 cm	18.95	FABTT325
	AB T-150 (150 x 80) 350 cm	20.41	FABTT350
	AB T-150 (150 x 80) 375 cm	21.86	FABTT375
	AB T-150 (150 x 80) 400 cm	23.32	FABTT400
	AB T-150 (150 x 80) 425 cm	24.78	FABTT425
	AB T-150 (150 x 80) 450 cm	26.24	FABTT450
	AB T-150 (150 x 80) 475 cm	27.69	FABTT475
	AB T-150 (150 x 80) 500 cm	29.15	FABTT500
	AB T-150 (150 x 80) 525 cm	30.61	FABTT525
	AB T-150 (150 x 80) 550 cm	32.07	FABTT550
	AB T-150 (150 x 80) 575 cm	33.52	FABTT575
	AB T-150 (150 x 80) 600 cm	34.98	FABTT600
	<b>Without Timber</b>		
	AB T-150 (150 x 80) 050 cm	2.54	FABTW050
	AB T-150 (150 x 80) 075 cm	3.81	FABTW075
	AB T-150 (150 x 80) 100 cm	5.08	FABTW100
	AB T-150 (150 x 80) 125 cm	6.35	FABTW125
	AB T-150 (150 x 80) 150 cm	7.62	FABTW150
	AB T-150 (150 x 80) 175 cm	8.89	FABTW175
	AB T-150 (150 x 80) 200 cm	10.16	FABTW200
	AB T-150 (150 x 80) 225 cm	11.43	FABTW225
	AB T-150 (150 x 80) 250 cm	12.70	FABTW250
	AB T-150 (150 x 80) 275 cm	13.97	FABTW275
	AB T-150 (150 x 80) 300 cm	15.24	FABTW300
	AB T-150 (150 x 80) 325 cm	16.51	FABTW325
	AB T-150 (150 x 80) 350 cm	17.78	FABTW350
	AB T-150 (150 x 80) 375 cm	19.05	FABTW375
	AB T-150 (150 x 80) 400 cm	20.32	FABTW400
	AB T-150 (150 x 80) 425 cm	21.59	FABTW425
AB T-150 (150 x 80) 450 cm	22.86	FABTW450	
AB T-150 (150 x 80) 475 cm	24.13	FABTW475	
AB T-150 (150 x 80) 500 cm	25.40	FABTW500	
AB T-150 (150 x 80) 525 cm	26.67	FABTW525	
AB T-150 (150 x 80) 550 cm	27.94	FABTW550	
AB T-150 (150 x 80) 575 cm	29.21	FABTW575	
AB T-150 (150 x 80) 600 cm	30.48	FABTW600	

Aluminum Beam (AB) S150			
<b>With Timber</b>			
	AB S-150 (150 x 75) 050 cm	1.95	FABST050
	AB S-150 (150 x 75) 075 cm	2.93	FABST075
	AB S-150 (150 x 75) 100 cm	3.90	FABST100
	AB S-150 (150 x 75) 125 cm	4.88	FABST125
	AB S-150 (150 x 75) 150 cm	5.85	FABST150
	AB S-150 (150 x 75) 175 cm	6.83	FABST175
	AB S-150 (150 x 75) 200 cm	7.80	FABST200
	AB S-150 (150 x 75) 225 cm	8.78	FABST225
	AB S-150 (150 x 75) 250 cm	9.75	FABST250
	AB S-150 (150 x 75) 275 cm	10.73	FABST275
	AB S-150 (150 x 75) 300 cm	11.70	FABST300
	AB S-150 (150 x 75) 325 cm	12.68	FABST325
	AB S-150 (150 x 75) 350 cm	13.65	FABST350
	AB S-150 (150 x 75) 375 cm	14.63	FABST375
	AB S-150 (150 x 75) 400 cm	15.60	FABST400
	AB S-150 (150 x 75) 425 cm	16.58	FABST425
	AB S-150 (150 x 75) 450 cm	17.55	FABST450
	AB S-150 (150 x 75) 475 cm	18.53	FABST475
	AB S-150 (150 x 75) 500 cm	19.50	FABST500
	AB S-150 (150 x 75) 525 cm	20.48	FABST525
	AB S-150 (150 x 75) 550 cm	21.45	FABST550
	AB S-150 (150 x 75) 575 cm	22.43	FABST575
	AB S-150 (150 x 75) 600 cm	23.40	FABST600

Without Timber		Wt. (kg)	Code
	AB S-150 (150 x 75) 050 cm	1.58	FABSW050
	AB S-150 (150 x 75) 075 cm	2.36	FABSW075
	AB S-150 (150 x 75) 100 cm	3.15	FABSW100
	AB S-150 (150 x 75) 125 cm	3.94	FABSW125
	AB S-150 (150 x 75) 150 cm	4.73	FABSW150
	AB S-150 (150 x 75) 175 cm	5.51	FABSW175
	AB S-150 (150 x 75) 200 cm	6.30	FABSW200
	AB S-150 (150 x 75) 225 cm	7.09	FABSW225
	AB S-150 (150 x 75) 250 cm	7.88	FABSW250
	AB S-150 (150 x 75) 275 cm	8.66	FABSW275
	AB S-150 (150 x 75) 300 cm	9.45	FABSW300
	AB S-150 (150 x 75) 325 cm	10.24	FABSW325
	AB S-150 (150 x 75) 350 cm	11.03	FABSW350
	AB S-150 (150 x 75) 375 cm	11.81	FABSW375
	AB S-150 (150 x 75) 400 cm	12.60	FABSW400
	AB S-150 (150 x 75) 425 cm	13.39	FABSW425
	AB S-150 (150 x 75) 450 cm	14.18	FABSW450
	AB S-150 (150 x 75) 475 cm	14.96	FABSW475
	AB S-150 (150 x 75) 500 cm	15.75	FABSW500
	AB S-150 (150 x 75) 525 cm	16.54	FABSW525
	AB S-150 (150 x 75) 550 cm	17.33	FABSW550
	AB S-150 (150 x 75) 575 cm	18.11	FABSW575
	AB S-150 (150 x 75) 600 cm	18.90	FABSW600

H20 Timber Beam (TB)			
	H20 TB (200x80) 0125 cm	6.25	FTBH20125
	H20 TB (200x80) 0145 cm	7.25	FTBH20145
	H20 TB (200x80) 0165 cm	8.25	FTBH20165
	H20 TB (200x80) 0180 cm	9.00	FTBH20180
	H20 TB (200x80) 0225 cm	11.25	FTBH20225
	H20 TB (200x80) 0245 cm	12.25	FTBH20245
	H20 TB (200x80) 0265 cm	13.25	FTBH20265
	H20 TB (200x80) 0290 cm	14.50	FTBH20290
	H20 TB (200x80) 0295 cm	14.75	FTBH20295
	H20 TB (200x80) 0330 cm	16.50	FTBH20330
	H20 TB (200x80) 0360 cm	18.00	FTBH20360
	H20 TB (200x80) 0390 cm	19.50	FTBH20390
	H20 TB (200x80) 0450 cm	22.50	FTBH20450
	H20 TB (200x80) 0490 cm	24.50	FTBH20490
	H20 TB (200x80) 0590 cm	29.50	FTBH20590
	H20 TB (200x80) 1190 cm	59.50	FTBH201190

Fence For Climbing Bracket			
	Fence For Climbing Bracket	23.74	FCSCBPS20025



Abu Dhabi

Dubai

T: +971 2 5500688

T: +971 4 8862855

F: +971 2 5500689

F: +971 4 5562558

P.O. BOX: 41851, Abu Dhabi, UAE

P.O. BOX: 18234, Jebel Ali, UAE

**WWW.SCAFFCO.COM**