



 **SCAFFCO**
Formwork & Scaffolding

Table System **The Fastest Slab Formwork System for Buildings and Sky Scrapers**



Table system is reliable, economical and proven to increase productivity in construction of all building types.

Table System is a simple and efficient tool for slab construction. This System is made of standard formwork elements which can be used for table formwork and for general forming and support applications.

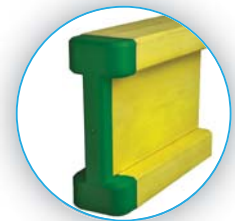
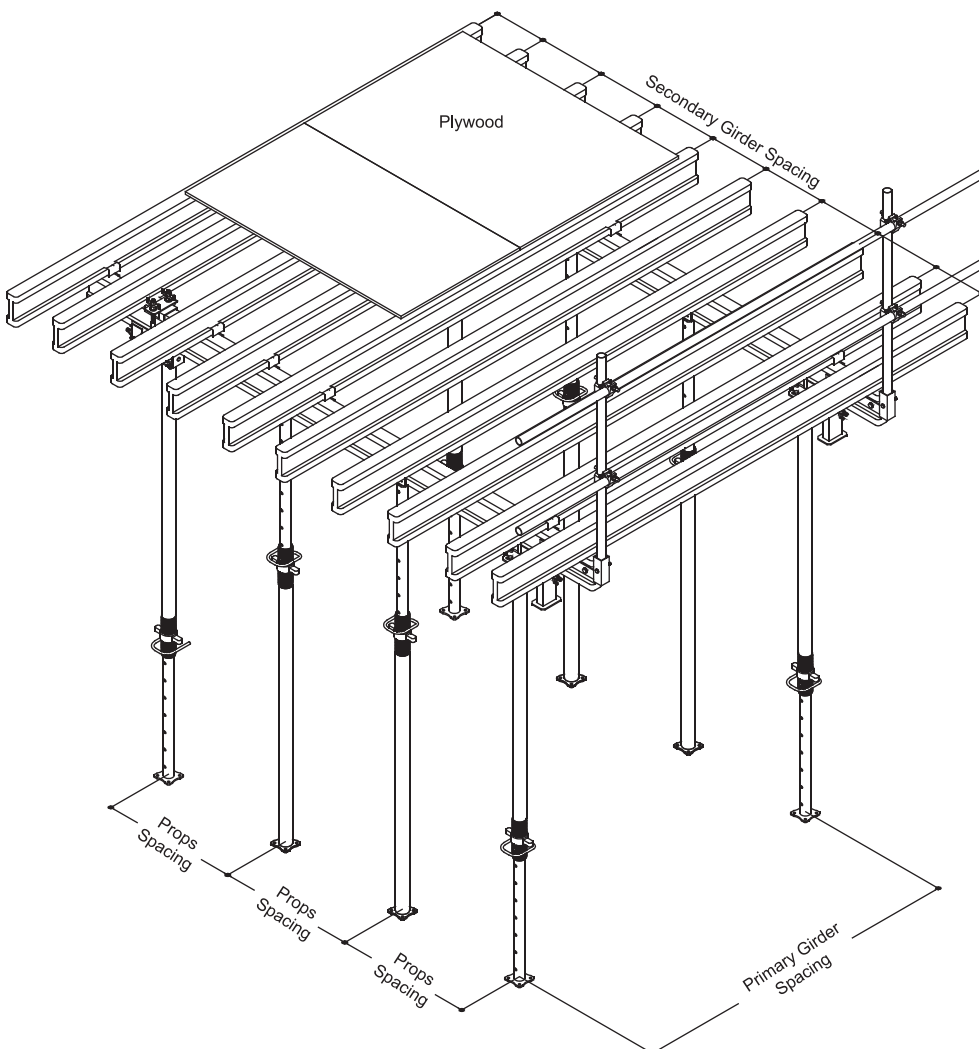
The table can be transported, assembled, used, dismantled and stored quickly and easily. The standard H20 timber girder or the S150 and T150 Aluminum girders can be used as decking elements for the table unit.

The tables can be delivered to the site as completely pre-assembled units or it can be assembled easily on site. There are two types of table head; the fixed double runner head and the foldable head. The unique foldable head enables golf props to be attached easily to the table's primary girder with the ability to fold the whole unit to fit into various transport and storage facilities in an efficient manner.

Construction obstacles (e.g. up-stand beams or parapets) of any kind can be passed over without disconnecting the props when shifting tables in addition to space saving at transport and storage stages.

Assembly of the foldable head is very simple. The foldable head can be fastened to the primary girder with only tie rod and wing nut (no drilling, fixing or special tool required). The table is suitable for structures with open facades of similar characteristics or applications.

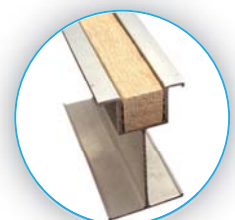
- Superior Quality
- Safe
- Reliable
- Sustainable
- Efficient
- Economical



H20 Timber Beam



Alum. Beam T150

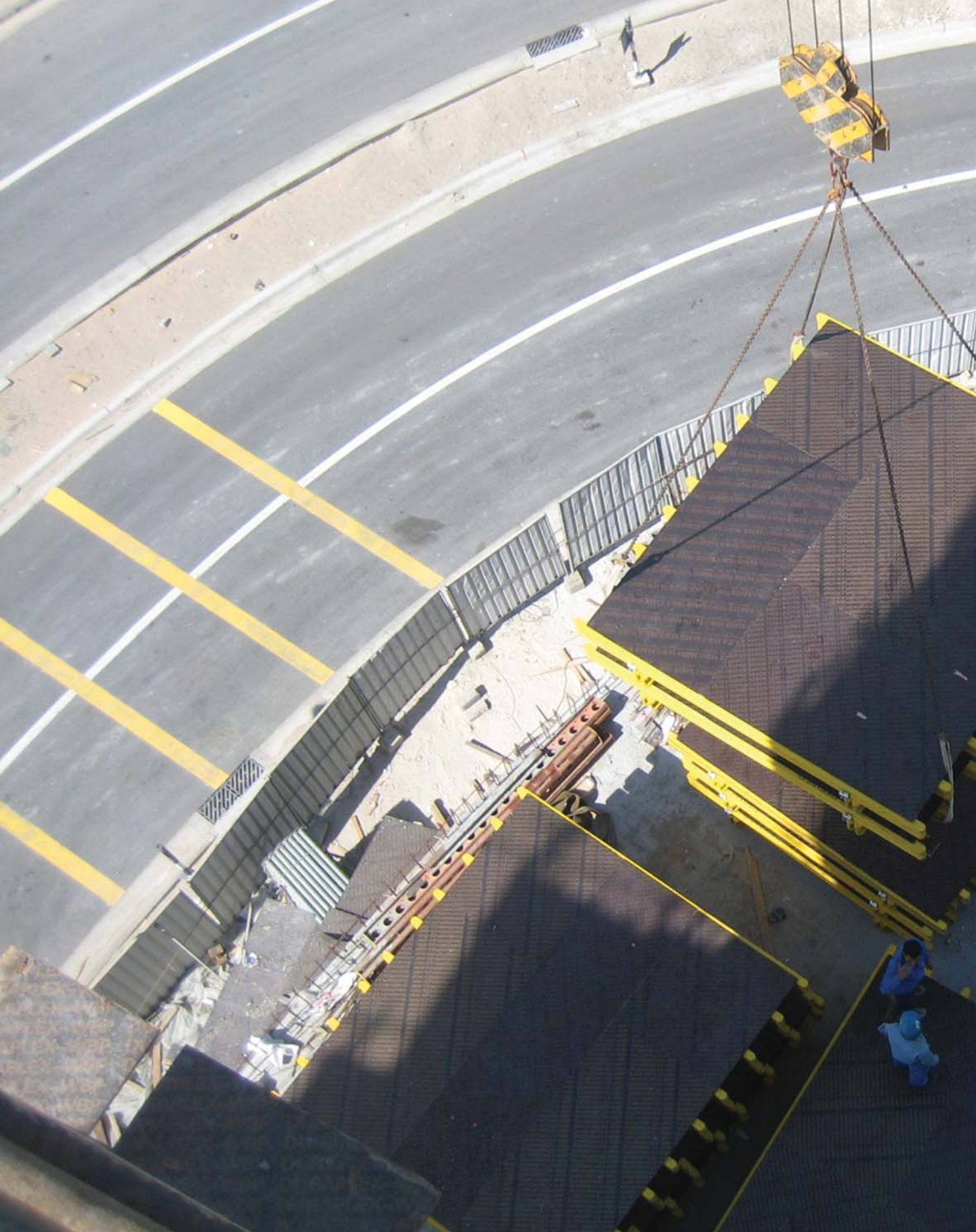


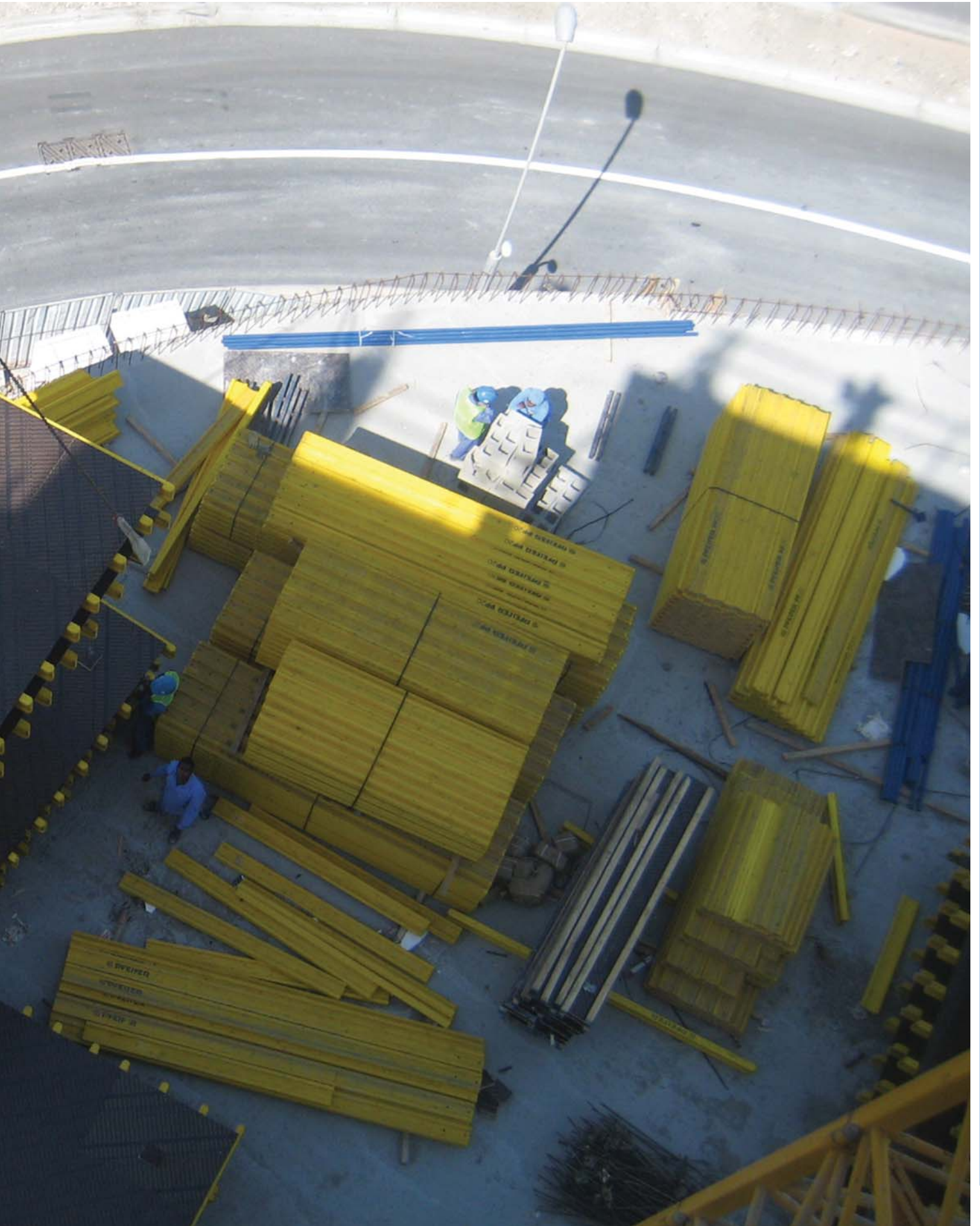
Alum. Beam S150



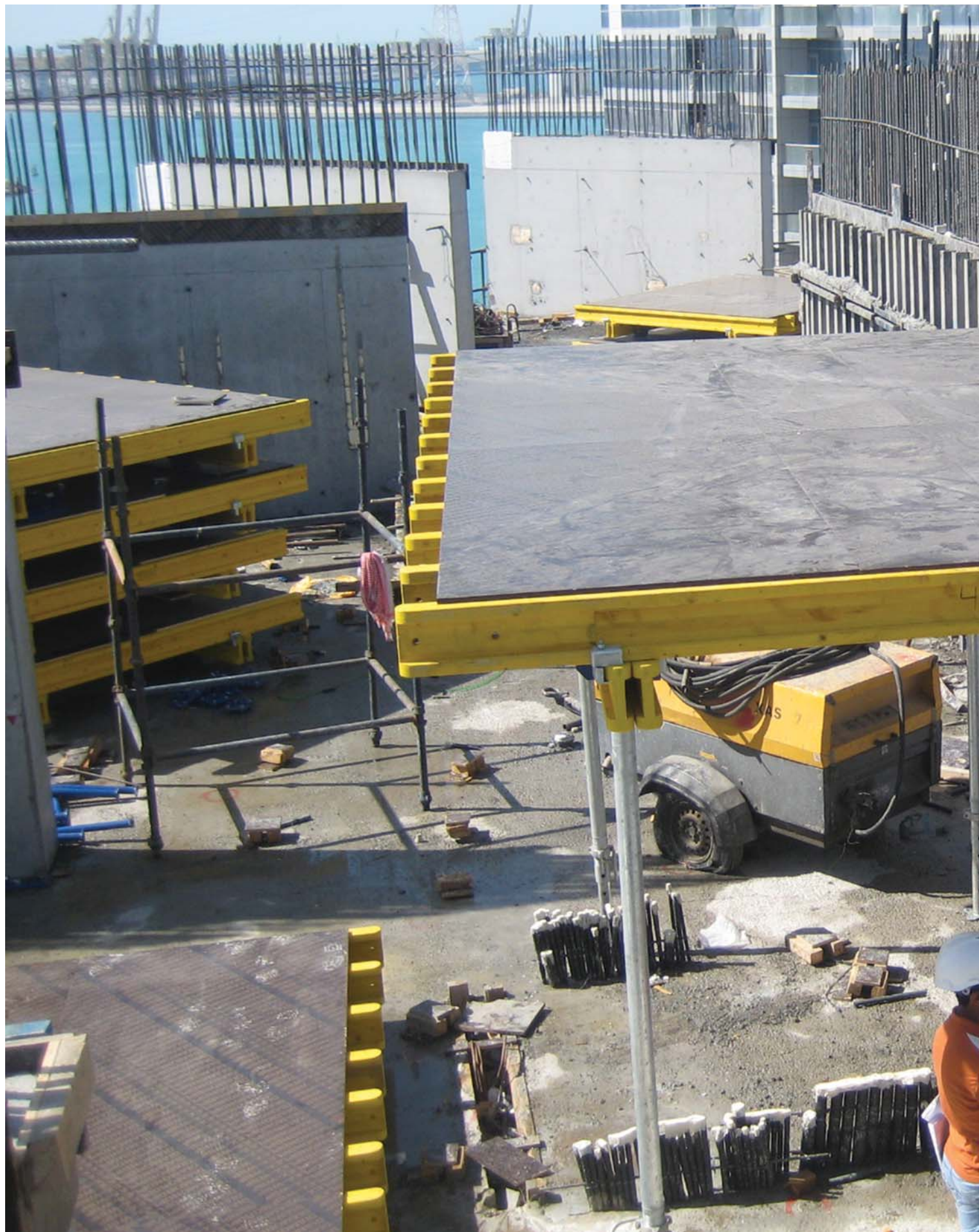
LVL Beam

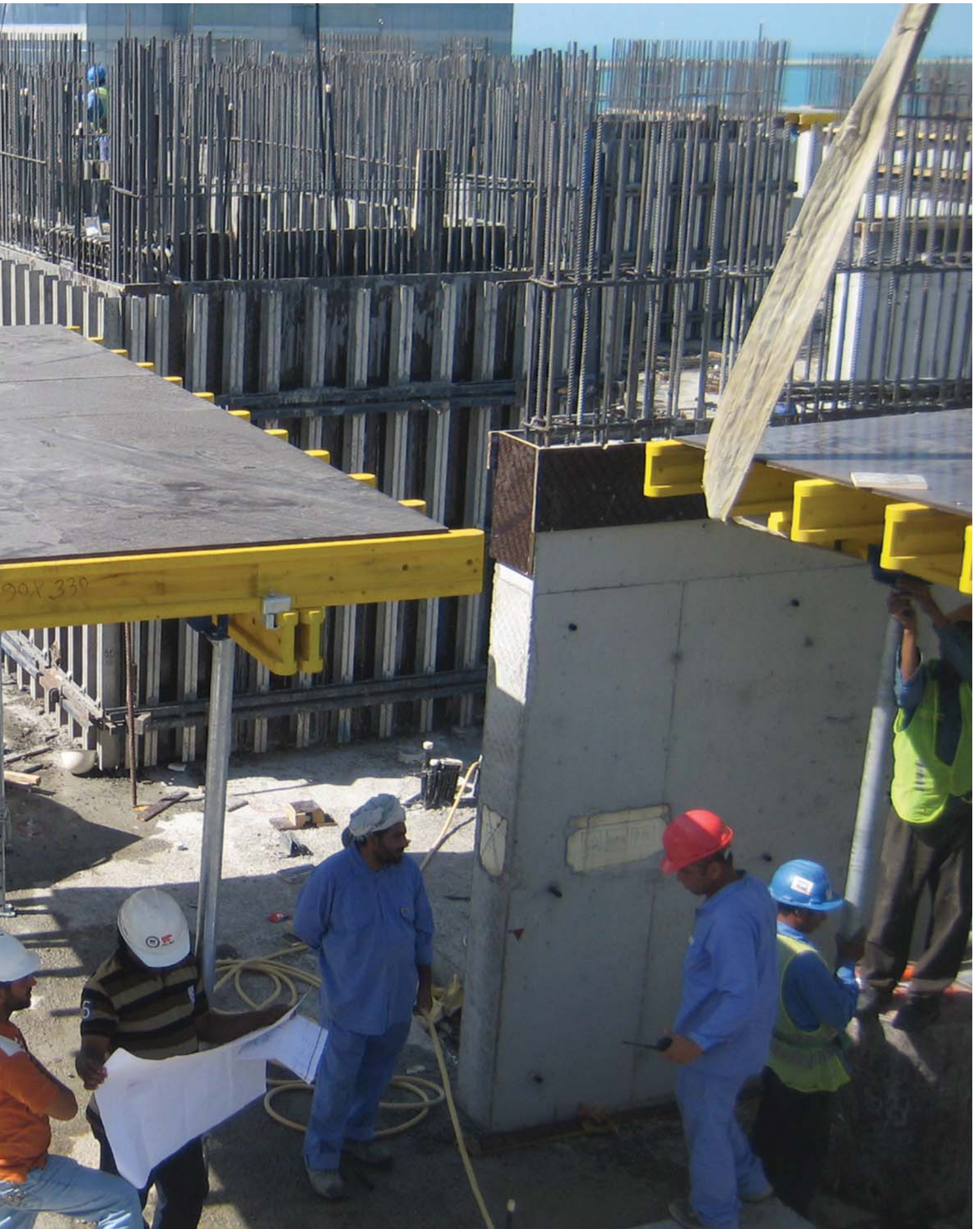
Large Formwork Unit Can be Erected and Lifted Easily



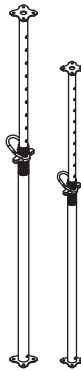


Easy to Position Table Unit with Minimum Effort





| | Wt. (kg) | Code |
|--|----------|----------------|
| Single Prop Heavy Duty (SPHD) Handle Type D/F | | |
| SPHD 100 cm E/P Collar | 6.53 | FSPR07010032E |
| SPHD 150 cm E/P Collar | 8.27 | FSPR10015032E |
| SPHD 200 cm E/P Collar | 10.52 | FSPR12020032E |
| SPHD 250 cm E/P Collar | 12.26 | FSPR15025032E |
| SPHD 300 cm E/P Collar | 14.52 | FSPR17030032E |
| SPHD 350 cm E/P Collar | 16.28 | FSPR20035032E |
| SPHD 450 cm E/P Collar | 20.31 | FSPR25045032E |
| SPHD 500 cm E/P Collar | 22.09 | FSPR30050032E |
| SPHD 550 cm E/P Collar | 23.87 | FSPR35055032E |
| SPHD 600 cm E/P Collar | 25.65 | FSPR40060032E |
| | | |
| SPHD 100 cm Painted Collar | 6.53 | FSPR07010032P |
| SPHD 150 cm Painted Collar | 8.27 | FSPR10015032P |
| SPHD 200 cm Painted Collar | 10.52 | FSPR12020032P |
| SPHD 250 cm Painted Collar | 12.26 | FSPR15025032P |
| SPHD 300 cm Painted Collar | 14.52 | FSPR17030032P |
| SPHD 350 cm Painted Collar | 16.28 | FSPR20035032P |
| SPHD 450 cm Painted Collar | 20.31 | FSPR25045032P |
| SPHD 500 cm Painted Collar | 22.09 | FSPR30050032P |
| SPHD 550 cm Painted Collar | 23.87 | FSPR35055032P |
| SPHD 600 cm Painted Collar | 25.65 | FSPR40060032P |
| | | |
| SPHD 100 cm Fully EP | 6.53 | FSPR07010032FE |
| SPHD 150 cm Fully EP | 8.27 | FSPR10015032FE |
| SPHD 200 cm Fully EP | 10.52 | FSPR12020032FE |
| SPHD 250 cm Fully EP | 12.26 | FSPR15025032FE |
| SPHD 300 cm Fully EP | 14.52 | FSPR17030032FE |
| SPHD 350 cm Fully EP | 16.28 | FSPR20035032FE |
| SPHD 450 cm Fully EP | 20.31 | FSPR25045032FE |
| SPHD 500 cm Fully EP | 22.09 | FSPR30050032FE |
| SPHD 550 cm Fully EP | 23.87 | FSPR35055032FE |
| SPHD 600 cm Fully EP | 25.65 | FSPR40060032FE |



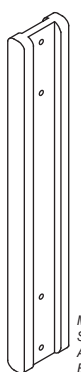
| | Wt. (kg) | Code |
|---|----------|----------------|
| Single Prop Super Heavy Duty (SPSHD) | | |
| SPSHD 3.00 M Painted (180 cm - 300 cm) | 20.75 | FSHP18030030P |
| SPSHD 3.50 M Painted (205 cm - 360 cm) | 23.03 | FSHP20535030P |
| SPSHD 4.00 M Painted (230 cm - 410 cm) | 25.28 | FSHP23041030P |
| SPSHD 4.50 M Painted (260 cm - 450 cm) | 27.53 | FSHP26045030P |
| SPSHD 5.00 M Painted (300 cm - 500 cm) | 29.69 | FSHP30050030P |
| | | |
| SPSHD 3.00 M EP Collar (180 cm - 300 cm) | 20.75 | FSHP18030030E |
| SPSHD 3.50 M EP Collar (205 cm - 360 cm) | 23.03 | FSHP20535030E |
| SPSHD 4.00 M EP Collar (230 cm - 410 cm) | 25.28 | FSHP23041030E |
| SPSHD 4.50 M EP Collar (260 cm - 450 cm) | 27.53 | FSHP26045030E |
| SPSHD 5.00 M EP Collar (300 cm - 500 cm) | 29.69 | FSHP30050030E |
| | | |
| SPSHD 3.00 M Fully EP (180 cm - 300 cm) | 20.75 | FSHP18030030FE |
| SPSHD 3.50 M Fully EP (205 cm - 360 cm) | 23.03 | FSHP20535030FE |
| SPSHD 4.00 M Fully EP (230 cm - 410 cm) | 25.28 | FSHP23041030FE |
| SPSHD 4.50 M Fully EP (260 cm - 450 cm) | 27.53 | FSHP26045030FE |
| SPSHD 5.00 M Fully EP (300 cm - 500 cm) | 29.69 | FSHP30050030FE |



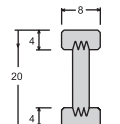
| | Wt. (kg) | Code |
|-----------------------------|----------|-----------------|
| Single Prop (SP) GP | | |
| SPGP 390cm MD (220-390)(P) | 11.59 | FSGPR22039020P |
| SPGP 390cm MD (220-390)(EP) | 11.59 | FSGPR22039020EP |
| SPGP 400cm MD (220-400)(P) | 11.99 | FSGPR22040020P |
| SPGP 400cm MD (220-400)(EP) | 11.99 | FSGPR22040020EP |
| | | |
| SPGP 390cm HD (220-390)(P) | 16.33 | FSGPR22039032P |
| SPGP 390cm HD (220-390)(EP) | 16.33 | FSGPR22039032EP |
| SPGP 400cm HD (220-400)(P) | 16.73 | FSGPR22040032P |
| SPGP 400cm HD (220-400)(EP) | 16.73 | FSGPR22040032EP |



| | Wt. (kg) | Code |
|-----------------------------|----------|------------|
| H20 Timber Beam (TB) | | |
| H20 TB (200x80) 0125 cm | 6.25 | FTBH20125 |
| H20 TB (200x80) 0145 cm | 7.25 | FTBH20145 |
| H20 TB (200x80) 0165 cm | 8.25 | FTBH20165 |
| H20 TB (200x80) 0180 cm | 9.00 | FTBH20180 |
| H20 TB (200x80) 0225 cm | 11.25 | FTBH20225 |
| H20 TB (200x80) 0245 cm | 12.25 | FTBH20245 |
| H20 TB (200x80) 0265 cm | 13.25 | FTBH20265 |
| H20 TB (200x80) 0290 cm | 14.50 | FTBH20290 |
| H20 TB (200x80) 0295 cm | 14.75 | FTBH20295 |
| H20 TB (200x80) 0330 cm | 16.50 | FTBH20330 |
| H20 TB (200x80) 0360 cm | 18.00 | FTBH20360 |
| H20 TB (200x80) 0390 cm | 19.50 | FTBH20390 |
| H20 TB (200x80) 0450 cm | 22.50 | FTBH20450 |
| H20 TB (200x80) 0490 cm | 24.50 | FTBH20490 |
| H20 TB (200x80) 0590 cm | 29.50 | FTBH20590 |
| H20 TB (200x80) 1190 cm | 59.50 | FTBH201190 |

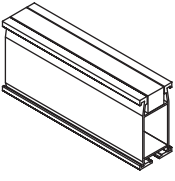


Moment: 5.00 kN.m
Shear: 11kN
Area: 18.87 cm
E: 500 kN/m

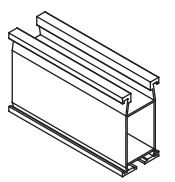


Finish: Varnished Yellow
Supports are rounded at the end for damage protection. Web-three layer crosswise laminated solid timber panel.
Weight: 5 kg per running meter

| | Wt. (kg) | Code |
|--------------------------------|----------|----------|
| Aluminum Beam (AB) T150 | | |
| <i>With Timber</i> | | |
| AB T-150 (150 x 80) 050 cm | 2.92 | FABTT050 |
| AB T-150 (150 x 80) 075 cm | 4.37 | FABTT075 |
| AB T-150 (150 x 80) 100 cm | 5.83 | FABTT100 |
| AB T-150 (150 x 80) 125 cm | 7.29 | FABTT125 |
| AB T-150 (150 x 80) 150 cm | 8.75 | FABTT150 |
| AB T-150 (150 x 80) 175 cm | 10.20 | FABTT175 |
| AB T-150 (150 x 80) 200 cm | 11.66 | FABTT200 |
| AB T-150 (150 x 80) 225 cm | 13.12 | FABTT225 |
| AB T-150 (150 x 80) 250 cm | 14.58 | FABTT250 |
| AB T-150 (150 x 80) 275 cm | 16.03 | FABTT275 |
| AB T-150 (150 x 80) 300 cm | 17.49 | FABTT300 |
| AB T-150 (150 x 80) 325 cm | 18.95 | FABTT325 |
| AB T-150 (150 x 80) 350 cm | 20.41 | FABTT350 |
| AB T-150 (150 x 80) 375 cm | 21.86 | FABTT375 |
| AB T-150 (150 x 80) 400 cm | 23.32 | FABTT400 |
| AB T-150 (150 x 80) 425 cm | 24.78 | FABTT425 |
| AB T-150 (150 x 80) 450 cm | 26.24 | FABTT450 |
| AB T-150 (150 x 80) 475 cm | 27.69 | FABTT475 |
| AB T-150 (150 x 80) 500 cm | 29.15 | FABTT500 |
| AB T-150 (150 x 80) 525 cm | 30.61 | FABTT525 |
| AB T-150 (150 x 80) 550 cm | 32.07 | FABTT550 |
| AB T-150 (150 x 80) 575 cm | 33.52 | FABTT575 |
| AB T-150 (150 x 80) 600 cm | 34.98 | FABTT600 |
| <i>Without Timber</i> | | |
| AB T-150 (150 x 80) 050 cm | 2.54 | FABTW050 |
| AB T-150 (150 x 80) 075 cm | 3.81 | FABTW075 |
| AB T-150 (150 x 80) 100 cm | 5.08 | FABTW100 |
| AB T-150 (150 x 80) 125 cm | 6.35 | FABTW125 |
| AB T-150 (150 x 80) 150 cm | 7.62 | FABTW150 |
| AB T-150 (150 x 80) 175 cm | 8.89 | FABTW175 |
| AB T-150 (150 x 80) 200 cm | 10.16 | FABTW200 |
| AB T-150 (150 x 80) 225 cm | 11.43 | FABTW225 |
| AB T-150 (150 x 80) 250 cm | 12.70 | FABTW250 |
| AB T-150 (150 x 80) 275 cm | 13.97 | FABTW275 |
| AB T-150 (150 x 80) 300 cm | 15.24 | FABTW300 |
| AB T-150 (150 x 80) 325 cm | 16.51 | FABTW325 |
| AB T-150 (150 x 80) 350 cm | 17.78 | FABTW350 |
| AB T-150 (150 x 80) 375 cm | 19.05 | FABTW375 |
| AB T-150 (150 x 80) 400 cm | 20.32 | FABTW400 |
| AB T-150 (150 x 80) 425 cm | 21.59 | FABTW425 |
| AB T-150 (150 x 80) 450 cm | 22.86 | FABTW450 |
| AB T-150 (150 x 80) 475 cm | 24.13 | FABTW475 |
| AB T-150 (150 x 80) 500 cm | 25.40 | FABTW500 |
| AB T-150 (150 x 80) 525 cm | 26.67 | FABTW525 |
| AB T-150 (150 x 80) 550 cm | 27.94 | FABTW550 |
| AB T-150 (150 x 80) 575 cm | 29.21 | FABTW575 |
| AB T-150 (150 x 80) 600 cm | 30.48 | FABTW600 |



Aluminum Beam T150 (Timber Size 38x38mm)

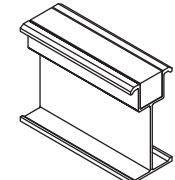


Aluminum Beam T150 (without Timber)

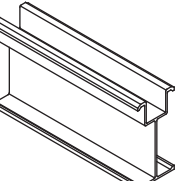
Finish: Mill Finish

Moment of resistance: 13.00 kN.m
Area: 18.87 cm
Inertia xx: 574.3 cm
Inertia yy: 147.4 cm
Section modulus Zxx: 75.36 cm
Young's Modulus 69000 N/mm
Weight: 5.80 kg/m (with Timber)
5.05 kg/m (without Timber)
Timber Wt.=0.75 kg/m

| | Wt. (kg) | Code |
|--------------------------------|----------|----------|
| Aluminum Beam (AB) S150 | | |
| <i>With Timber</i> | | |
| AB S-150 (150 x 75) 050 cm | 1.95 | FABST050 |
| AB S-150 (150 x 75) 075 cm | 2.93 | FABST075 |
| AB S-150 (150 x 75) 100 cm | 3.90 | FABST100 |
| AB S-150 (150 x 75) 125 cm | 4.88 | FABST125 |
| AB S-150 (150 x 75) 150 cm | 5.85 | FABST150 |
| AB S-150 (150 x 75) 175 cm | 6.83 | FABST175 |
| AB S-150 (150 x 75) 200 cm | 7.80 | FABST200 |
| AB S-150 (150 x 75) 225 cm | 8.78 | FABST225 |
| AB S-150 (150 x 75) 250 cm | 9.75 | FABST250 |
| AB S-150 (150 x 75) 275 cm | 10.73 | FABST275 |
| AB S-150 (150 x 75) 300 cm | 11.70 | FABST300 |
| AB S-150 (150 x 75) 325 cm | 12.68 | FABST325 |
| AB S-150 (150 x 75) 350 cm | 13.65 | FABST350 |
| AB S-150 (150 x 75) 375 cm | 14.63 | FABST375 |
| AB S-150 (150 x 75) 400 cm | 15.60 | FABST400 |
| AB S-150 (150 x 75) 425 cm | 16.58 | FABST425 |
| AB S-150 (150 x 75) 450 cm | 17.55 | FABST450 |
| AB S-150 (150 x 75) 475 cm | 18.53 | FABST475 |
| AB S-150 (150 x 75) 500 cm | 19.50 | FABST500 |
| AB S-150 (150 x 75) 525 cm | 20.48 | FABST525 |
| AB S-150 (150 x 75) 550 cm | 21.45 | FABST550 |
| AB S-150 (150 x 75) 575 cm | 22.43 | FABST575 |
| AB S-150 (150 x 75) 600 cm | 23.40 | FABST600 |
| <i>Without Timber</i> | | |
| AB S-150 (150 x 75) 050 cm | 1.58 | FABSW050 |
| AB S-150 (150 x 75) 075 cm | 2.36 | FABSW075 |
| AB S-150 (150 x 75) 100 cm | 3.15 | FABSW100 |
| AB S-150 (150 x 75) 125 cm | 3.94 | FABSW125 |
| AB S-150 (150 x 75) 150 cm | 4.73 | FABSW150 |
| AB S-150 (150 x 75) 175 cm | 5.51 | FABSW175 |
| AB S-150 (150 x 75) 200 cm | 6.30 | FABSW200 |
| AB S-150 (150 x 75) 225 cm | 7.09 | FABSW225 |
| AB S-150 (150 x 75) 250 cm | 7.88 | FABSW250 |
| AB S-150 (150 x 75) 275 cm | 8.66 | FABSW275 |
| AB S-150 (150 x 75) 300 cm | 9.45 | FABSW300 |
| AB S-150 (150 x 75) 325 cm | 10.24 | FABSW325 |
| AB S-150 (150 x 75) 350 cm | 11.03 | FABSW350 |
| AB S-150 (150 x 75) 375 cm | 11.81 | FABSW375 |
| AB S-150 (150 x 75) 400 cm | 12.60 | FABSW400 |
| AB S-150 (150 x 75) 425 cm | 13.39 | FABSW425 |
| AB S-150 (150 x 75) 450 cm | 14.18 | FABSW450 |
| AB S-150 (150 x 75) 475 cm | 14.96 | FABSW475 |
| AB S-150 (150 x 75) 500 cm | 15.75 | FABSW500 |
| AB S-150 (150 x 75) 525 cm | 16.54 | FABSW525 |
| AB S-150 (150 x 75) 550 cm | 17.33 | FABSW550 |
| AB S-150 (150 x 75) 575 cm | 18.11 | FABSW575 |
| AB S-150 (150 x 75) 600 cm | 18.90 | FABSW600 |



Aluminum Beam S150 (Timber Size 38x38mm)



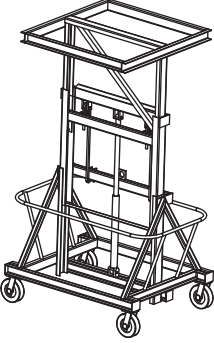
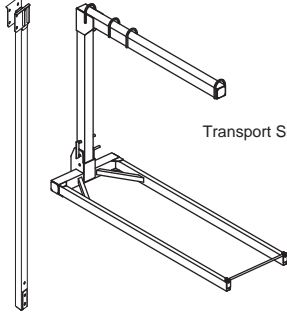
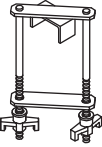
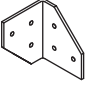
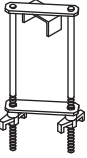

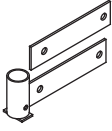

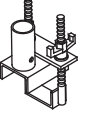
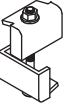
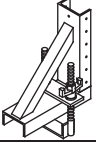

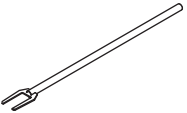


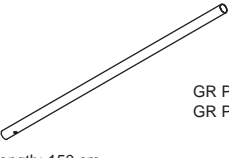
Aluminum Beam S150 (without Timber)

Finish: Mill Finish

Moment of resistance: 6.80 kN.m
Area: 11.96 cm
Inertia xx: 356 cm
Inertia yy: 43.764 cm
Section Modulus Zxx: 47.15 cm
Young's Modulus: 69000 N/mm
Weight: 3.95 kg/m (with Timber)
3.20 kg/m (without Timber)
Timber Wt.=0.75 kg/m

| | | Wt. (kg) | Code |
|---------------------------------------|--|----------------------|--|
| Scaffold Couplers | | | |
| | Double Coupler (DC) DC 1.5"x1.5" (D/F) DC 2.0"x1.5" (D/F) DC 1.5"x1.5" (Pressed) | 0.99 1.20 0.73 | XFGCDD4848 XFGCDD6048 XFGCDP4848 |
| | Swivel Coupler (SC) SC 1.5"x1.5" (D/F) SC 2.0"x1.5" (D/F) SC 1.5"x1.5" (Pressed) | 1.10 1.25 0.68 | XFGCSD4848 XFGCSD6048 XFGCSP4848 |
| Fixed Head Double Runner | | | |
| | Fixed Head Double Runner Painted | 9.33 | FGF99005 |
| Lifting Hook | | | |
| | Fixed Hook Double Runner Painted | 9.78 | FGF99007 |
| Supporting Forkhead (SFH) | | | |
| | SFH 10 x 17 x 20 - Painted SFH 10 x 17 x 20 - E/P | 3.88 3.88 | FGF99006 FGF99006E |
| <i>Finish: Painted Blue</i> | SFH - 38 Painted SFH - 38 E/P | 2.16 2.16 | XESSFH XESSFHE |
| Universal Forkhead - H20 | | | |
| | Universal Forkhead - H20 | 3.10 | XESUFH20 |
| <i>Finish: Painted Blue</i> | | | |
| Universal Forkhead - Aluminium | | | |
| | Universal Forkhead - Aluminium | 2.83 | XESUFHAL |
| <i>Finish: Painted Blue</i> | | | |
| Tripod | | | |
| | Tripod Painted Tripod EP | 10.20 10.20 | XESTPD XESTPDE |
| <i>Finish: Painted or E/P</i> | | | |

| | | Wt. (kg) | Code |
|---|--|---|---|
| Scaffold Tube (ST) Painted | | | |
| M.D. Tube | | | |
| | ST 100 cm MD ST 150 cm MD ST 200 cm MD ST 250 cm MD ST 300 cm MD ST 350 cm MD ST 400 cm MD ST 450 cm MD ST 500 cm MD ST 550 cm MD ST 600 cm MD | 2.28 3.42 4.57 5.71 6.85 7.99 9.13 10.27 11.42 12.56 13.70 | FSTP20100 FSTP20150 FSTP20200 FSTP20250 FSTP20300 FSTP20350 FSTP20400 FSTP20450 FSTP20500 FSTP20550 FSTP20600 |
| <i>Finish: Painted Dia.:48.3 mm</i> | | | |
| H.D. Tube | | | |
| | ST 100 cm HD ST 150 cm HD ST 200 cm HD ST 250 cm HD ST 300 cm HD ST 350 cm HD ST 400 cm HD ST 450 cm HD ST 500 cm HD ST 550 cm HD ST 600 cm HD | 3.35 5.03 6.70 8.38 10.05 11.73 13.41 15.08 16.76 18.43 20.11 | FSTP30100 FSTP30150 FSTP30200 FSTP30250 FSTP30300 FSTP30350 FSTP30400 FSTP30450 FSTP30500 FSTP30550 FSTP30600 |
| <i>Finish: Painted Dia.:48.3 mm</i> | | | |
| Scaffold Tube (ST) Black | | | |
| M.D. Tube | | | |
| | ST 100 cm MD ST 150 cm MD ST 200 cm MD ST 250 cm MD ST 300 cm MD ST 350 cm MD ST 400 cm MD ST 450 cm MD ST 500 cm MD ST 550 cm MD ST 600 cm MD | 2.28 3.42 4.57 5.71 6.85 7.99 9.13 10.27 11.42 12.56 13.70 | FSTN20100 FSTN20150 FSTN20200 FSTN20250 FSTN20300 FSTN20350 FSTN20400 FSTN20450 FSTN20500 FSTN20550 FSTN20600 |
| <i>Finish: Black Dia.:48.3 mm</i> | | | |
| H.D. Tube | | | |
| | ST 100 cm HD ST 150 cm HD ST 200 cm HD ST 250 cm HD ST 300 cm HD ST 350 cm HD ST 400 cm HD ST 450 cm HD ST 500 cm HD ST 550 cm HD ST 600 cm HD | 3.35 5.03 6.70 8.38 10.05 11.73 13.41 15.08 16.76 18.43 20.11 | FSTN30100 FSTN30150 FSTN30200 FSTN30250 FSTN30300 FSTN30350 FSTN30400 FSTN30450 FSTN30500 FSTN30550 FSTN30600 |
| <i>Finish: Black Dia.:48.3 mm</i> | | | |
| Scaffold Tube (ST) GI | | | |
| M.D. Tube | | | |
| | ST 100 cm MD ST 150 cm MD ST 200 cm MD ST 250 cm MD ST 300 cm MD ST 350 cm MD ST 400 cm MD ST 450 cm MD ST 500 cm MD ST 550 cm MD ST 600 cm MD | 2.28 3.42 4.57 5.71 6.85 7.99 9.13 10.27 11.42 12.56 13.70 | FSTG20100 FSTG20150 FSTG20200 FSTG20250 FSTG20300 FSTG20350 FSTG20400 FSTG20450 FSTG20500 FSTG20550 FSTG20600 |
| <i>Finish: GI Dia.:48.3 mm</i> | | | |
| H.D. Tube | | | |
| | ST 100 cm HD ST 150 cm HD ST 200 cm HD ST 250 cm HD ST 300 cm HD ST 350 cm HD ST 400 cm HD ST 450 cm HD ST 500 cm HD ST 550 cm HD ST 600 cm HD | 3.35 5.03 6.70 8.38 10.05 11.73 13.41 15.08 16.76 18.43 20.11 | FSTG30100 FSTG30150 FSTG30200 FSTG30250 FSTG30300 FSTG30350 FSTG30400 FSTG30450 FSTG30500 FSTG30550 FSTG30600 |
| <i>Finish: GI Dia.:48.3 mm</i> | | | |

| | | | Wt. (kg) | Code | | | | Wt. (kg) | Code |
|---|--|--------|-------------|---|--|--------|--------------|----------|------|
| Shifting Trolley | | | | | Transport Spreader (Full Set) | | | | |
|  | Shifting Trolley | 618.94 | FSSST01MAN |  | Transport Spreader (Full Set) | 817.60 | FGF99003 | | |
| | <i>Finish: Painted</i> | | | | | | | | |
| Universal Brace Strip Alum | | | | | Angle Connector H20 | | | | |
|  | Universal Brace Strip Alum | 3.16 | FGFE9010 |  | Angle Connector H20 | 0.33 | FFFAC002 | | |
| | <i>Finish: Electroplated</i> | | | <i>Height: 9 cm Width: 7.5 cm Finish: Painted</i> | | | | | |
| Universal Brace Strip H20 | | | | | Angle Connector (H20 - 40) | | | | |
|  | Universal Brace Strip H20 | 3.48 | FGFE9011 |  | Angle Connector (H20 - 40) | 0.54 | FFFAC001 | | |
| Unified GR Bracket | | | | | H20 C-Clamp (Soldier to H20) | | | | |
|  | Unified GR-Bracket with 1no.M12X100 and 2no.M16X150 Bolt & Nut - Painted | 3.65 | FGDGRUBP001 |  | H20 C-Clamp (Soldier to H20) | 0.90 | XFGH20C | | |
| | Unified GR-Bracket with 1no.M12X100 and 2no.M16X150 Bolt & Nut - EP | 3.65 | FGDGRUBE001 | | | | | | |
| <i>Tube dia.: 60.3mm</i> | <i>Attached to the H20 Beams with M16x75 mm bolt & nut (full threaded)</i> | | | | | | | | |
| Universal GR Bracket | | | | | H20 Universal Clamp (H20 to H20) | | | | |
|  | Universal GR Bracket - Painted | 4.32 | FGDGRUBP |  | H20 Universal clamp - Painted (H20 to H20) | 0.87 | XFGUC001 | | |
| <i>Tube dia.: 60.3mm</i> | | | | <i>Finish: Electroplated</i> | | | | | |
| Beam Frame | | | | | Universal Clamp (Aluminum to Soldier) | | | | |
|  | Beam Frame (P) | 6.57 | FGDBFP |  | Universal Clamp EP (Aluminum to Soldier) | 0.57 | FSS99E027 | | |
| | Beam Frame (EP) | 6.57 | FGDBFE | <i>Finish: Electroplated</i> | | | | | |
| | Beam Frame (GI) | 6.57 | FGDBFG | | | | | | |
| Beam Fork | | | | | Bolt, Nut and Washer | | | | |
|  | Beam Fork (P) | 4.46 | FGFBFP0001 |  | Bolt and Nut M12x100 (Half Threaded) | 0.14 | XFGGH1210 | | |
| <i>Length: 171 cm Dia.: 48.3 mm</i> | | | |  | Bolt and Nut M12x40 (Full Threaded) G8 | 0.10 | XFGBF12040 | | |
| | | | | | Bolt and Nut M16X150 | 0.33 | XFGBF16150 | | |
| | | | | | Bolt, Nut & Washer 16X100 mm | 0.20 | XFGBF16100 | | |
| | | | | | Bolt, Nut & Washer 16X100 mm G10 | 0.25 | XFGBG16100 | | |
| | | | | | Bolt, Nut & Washer 16X40 mm | 0.14 | XFGBF16040 | | |
| | | | | | Bolt, Nut & Washer 14X100 mm | 0.15 | XFGBF14100 | | |
| | | | | | Bolt, Nut & Washer M12X80 (Carriage) | 0.09 | XFGBF12080 | | |
| | | | | | Bolt, Nut & Washer 10X100 (Half Threaded) | 0.08 | XFGBH10100 | | |
| | | | | | Bolt, Nut & Washer 10X75 (Full Threaded) | 0.07 | XFGBF10075 | | |
| | | | | | Bolt, Nut & Washer 10X30 mm | 0.04 | XFGBON10030W | | |
| | | | | | Bolt and Nut w/o Washer 06x40 mm GI | 0.01 | XFGBON0640GN | | |
| GR Post 150 | | | | | | | | | |
|  | GR Post 150 (P) | 3.57 | FGDGRP150 | | | | | | |
| | GR Post 150 (EP) | 3.57 | FGDGRE150 | | | | | | |
| <i>Length: 150 cm Dia.: 48.3 mm With Nut & Bolt M12 x100</i> | | | | | | | | | |



Abu Dhabi

Dubai

T: +971 2 5500688

T: +971 4 8862855

F: +971 2 5500689

F: +971 4 5562558

P.O. BOX: 41851, Abu Dhabi, UAE

P.O. BOX: 18234, Jebel Ali, UAE

WWW.SCAFFCO.COM