



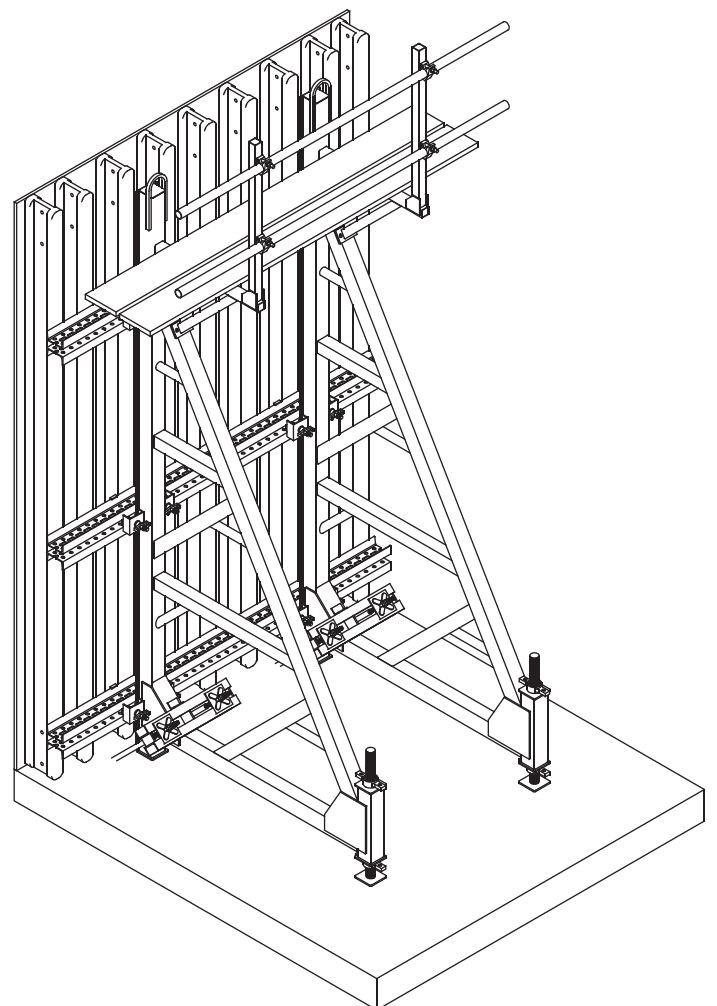
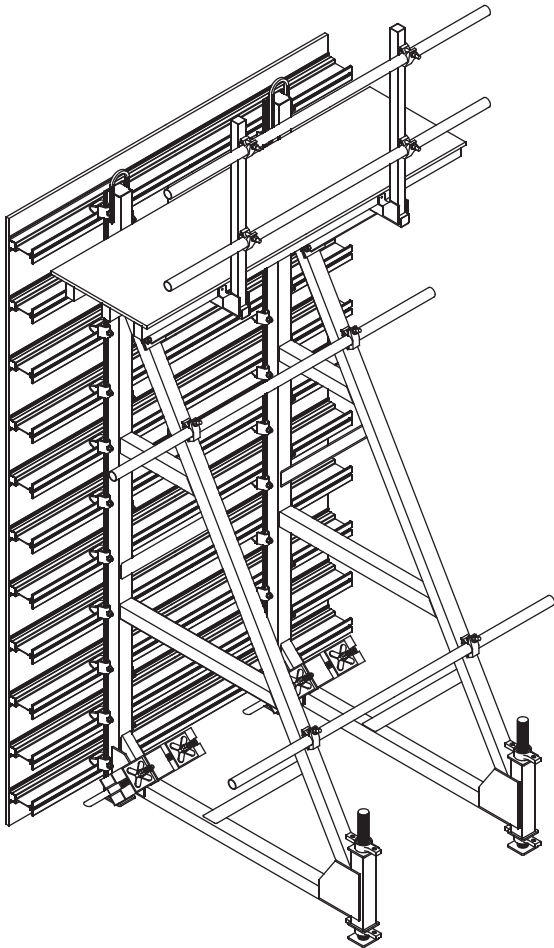
 **SCAFFCO**
Formwork & Scaffolding

Supporting Frame System The Ideal Formwork System for Single Sided Wall Shutter



Supporting Frame System is the Most Efficient System for Single Sided Formwork Applications.

The Supporting frame system provides an absolutely safe and economical solution for single sided forming in an existing building, row of bored piles with concrete pressure and lifting forces to be discharged on the ground.



- **Single-sided formwork systems are compatible with any type of vertical formwork either modular or formworks beams.**
- **To support single sided wall formwork when concreting against sheathing or existing buildings.**
- **Very stable constructions allow the distribution of the loads of the steel walings at any position**

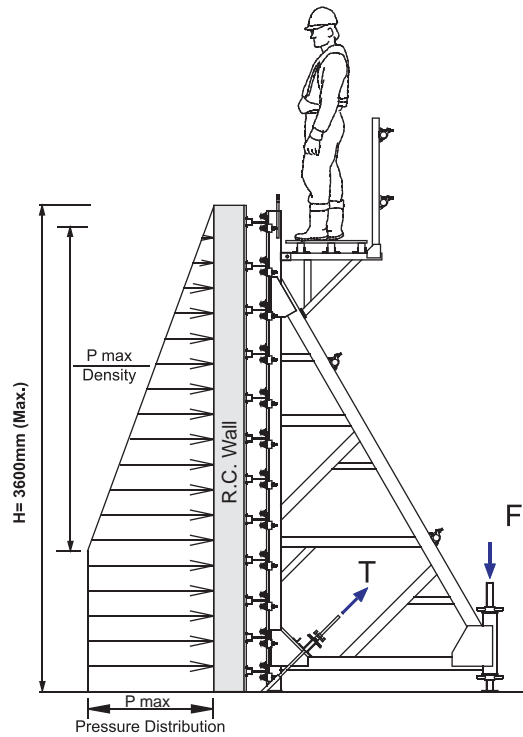
Fast and simple solution for forming various concrete elements





Supporting Frame System

Technical Data

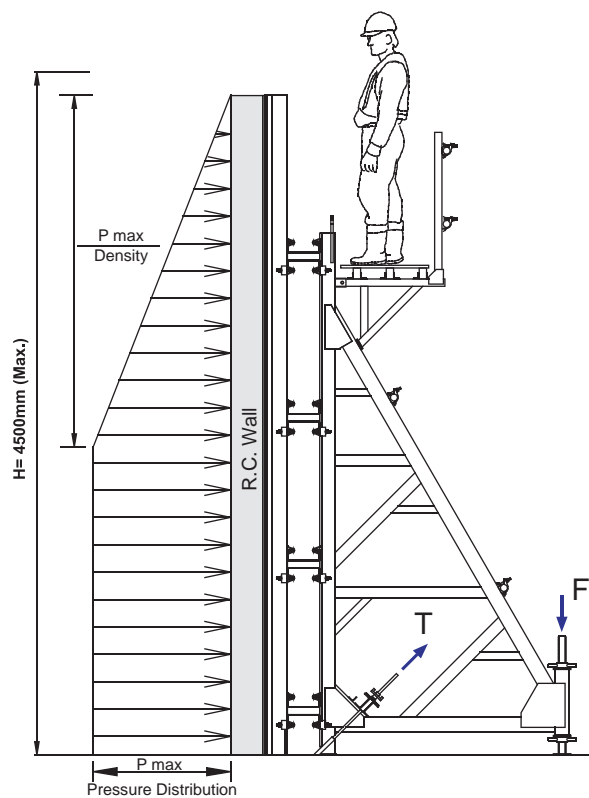


Supporting Frame Arrangement
for Wall Height up to 3.6 m

Max. SWL for Tie Rods
 Tie Rod Ø 15mm = 90 kN
 Tie Rod Ø 20mm = 160 kN
 Tie Rod Ø 26.5mm = 260 kN

Supporting Frame Reactions
for Wall Height up to 3.6m

Pour Height (H) (m)	Lateral Pressure (P) (kN/m ²)	Tension Force (T) (kN)	Jack Force (F) (kN)
2.50	40	96	41
	50	106	43
	60	110	43
2.75	40	110	54
	50	124	56
	60	132	58
3.00	40	124	67
	50	141	72
	60	153	74
3.25	40	139	83
	50	159	90
	60	174	94
3.50	40	153	100
	50	117	110
	60	195	115



Supporting Frame Arrangement
for Wall Height up to 4.5 m

Supporting Frame Reactions
for Wall Height up to 4.5m

Pour Height (H) (m)	Lateral Pressure (P) (kN/m ²)	Tension Force (T) (kN)	Jack Force (F) (kN)
2.50	40	96	41
	50	106	43
	60	110	43
2.75	40	110	54
	50	124	56
	60	132	58
3.00	40	124	67
	50	141	72
	60	153	74
3.25	40	139	83
	50	159	90
	60	174	94
3.50	40	153	100
	50	117	110
	60	195	115
4.00	40	181	100
	50	212	111
	60	238	119
4.50	40	209	132
	50	248	150
	60	280	162

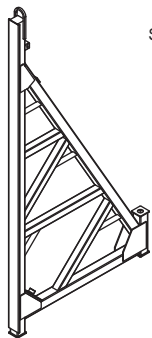


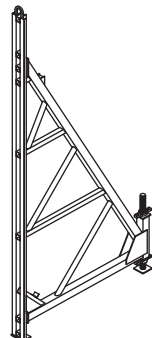
The Product That Best Suits Concrete Forming Requirments

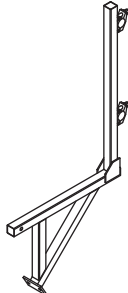


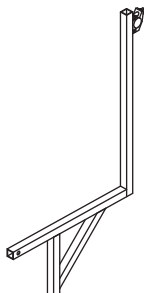


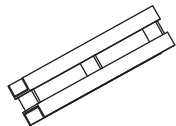
Supporting Frame System


	Wt. (kg)	Code
Supporting Frame 350		
	Supporting Frame 350 Painted 220.00	FSFSF350


	New Supporting Frame 350 Painted 119.45	FNSFSF350
---	---	-----------

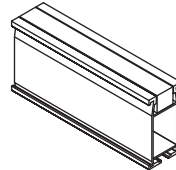
Casting Bracket SF		
	Casting Bracket SF 12.50	FSFCB075

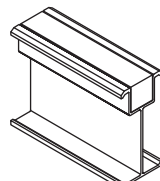
Casting Bracket NSF		
	Casting Bracket NSF - Painted 9.34	FNSFCB01

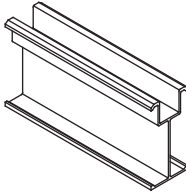
Tie Channel 60		
	Tie Channel 60 11.54	FSS99P045

W10 Anchor Beam (AB)		
	W10 AB 075 cm Painted 15.41	FSFW10ABP075
	W10 AB 100 cm Painted 20.66	FSFW10ABP100
	W10 AB 125 cm Painted 25.59	FSFW10ABP125
	W10 AB 150 cm Painted 30.52	FSFW10ABP150
	W10 AB 175 cm Painted 35.76	FSFW10ABP175
	W10 AB 200 cm Painted 40.69	FSFW10ABP200
	W10 AB 225 cm Painted 45.62	FSFW10ABP225
	W10 AB 250 cm Painted 50.86	FSFW10ABP250
	W10 AB 275 cm Painted 55.79	FSFW10ABP275
	W10 AB 300 cm Painted 61.03	FSFW10ABP300
	W10 AB 325 cm Painted 65.96	FSFW10ABP325

	Wt. (kg)	Code
H20 Timber Beam (TB)		
	H20 TB (200x80) 0125 cm 6.25	FTBH20125
	H20 TB (200x80) 0145 cm 7.25	FTBH20145
	H20 TB (200x80) 0165 cm 8.25	FTBH20165
	H20 TB (200x80) 0180 cm 9.00	FTBH20180
	H20 TB (200x80) 0225 cm 11.25	FTBH20225
	H20 TB (200x80) 0245 cm 12.25	FTBH20245
	H20 TB (200x80) 0265 cm 13.25	FTBH20265
	H20 TB (200x80) 0290 cm 14.50	FTBH20290
	H20 TB (200x80) 0295 cm 14.75	FTBH20295
	H20 TB (200x80) 0330 cm 16.50	FTBH20330
	H20 TB (200x80) 0360 cm 18.00	FTBH20360
	H20 TB (200x80) 0390 cm 19.50	FTBH20390
	H20 TB (200x80) 0450 cm 22.50	FTBH20450
	H20 TB (200x80) 0490 cm 24.50	FTBH20490
	H20 TB (200x80) 0590 cm 29.50	FTBH20590
	H20 TB (200x80) 1190 cm 59.50	FTBH201190

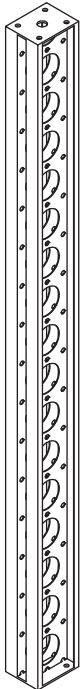
Aluminum Beam (AB) T150		
	With Timber	
	AB T-150 (150 x 80) 050 cm 2.92	FABTT050
	AB T-150 (150 x 80) 075 cm 4.37	FABTT075
	AB T-150 (150 x 80) 100 cm 5.83	FABTT100
	AB T-150 (150 x 80) 125 cm 7.29	FABTT125
	AB T-150 (150 x 80) 150 cm 8.75	FABTT150
	AB T-150 (150 x 80) 175 cm 10.20	FABTT175
	AB T-150 (150 x 80) 200 cm 11.66	FABTT200
	AB T-150 (150 x 80) 225 cm 13.12	FABTT225
	AB T-150 (150 x 80) 250 cm 14.58	FABTT250
	AB T-150 (150 x 80) 275 cm 16.03	FABTT275
	AB T-150 (150 x 80) 300 cm 17.49	FABTT300
	AB T-150 (150 x 80) 325 cm 18.95	FABTT325
	AB T-150 (150 x 80) 350 cm 20.41	FABTT350
	AB T-150 (150 x 80) 375 cm 21.86	FABTT375
	AB T-150 (150 x 80) 400 cm 23.32	FABTT400
	AB T-150 (150 x 80) 425 cm 24.78	FABTT425
	AB T-150 (150 x 80) 450 cm 26.24	FABTT450
	AB T-150 (150 x 80) 475 cm 27.69	FABTT475
	AB T-150 (150 x 80) 500 cm 29.15	FABTT500
	AB T-150 (150 x 80) 525 cm 30.61	FABTT525
	AB T-150 (150 x 80) 550 cm 32.07	FABTT550
	AB T-150 (150 x 80) 575 cm 33.52	FABTT575
	AB T-150 (150 x 80) 600 cm 34.98	FABTT600
	Without Timber	
	AB T-150 (150 x 80) 050 cm 2.54	FABTW050
	AB T-150 (150 x 80) 075 cm 3.81	FABTW075
	AB T-150 (150 x 80) 100 cm 5.08	FABTW100
	AB T-150 (150 x 80) 125 cm 6.35	FABTW125
	AB T-150 (150 x 80) 150 cm 7.62	FABTW150
	AB T-150 (150 x 80) 175 cm 8.89	FABTW175
	AB T-150 (150 x 80) 200 cm 10.16	FABTW200
	AB T-150 (150 x 80) 225 cm 11.43	FABTW225
	AB T-150 (150 x 80) 250 cm 12.70	FABTW250
	AB T-150 (150 x 80) 275 cm 13.97	FABTW275
	AB T-150 (150 x 80) 300 cm 15.24	FABTW300
	AB T-150 (150 x 80) 325 cm 16.51	FABTW325
	AB T-150 (150 x 80) 350 cm 17.78	FABTW350
	AB T-150 (150 x 80) 375 cm 19.05	FABTW375
	AB T-150 (150 x 80) 400 cm 20.32	FABTW400
	AB T-150 (150 x 80) 425 cm 21.59	FABTW425
	AB T-150 (150 x 80) 450 cm 22.86	FABTW450
	AB T-150 (150 x 80) 475 cm 24.13	FABTW475
	AB T-150 (150 x 80) 500 cm 25.40	FABTW500
	AB T-150 (150 x 80) 525 cm 26.67	FABTW525
	AB T-150 (150 x 80) 550 cm 27.94	FABTW550
	AB T-150 (150 x 80) 575 cm 29.21	FABTW575
	AB T-150 (150 x 80) 600 cm 30.48	FABTW600

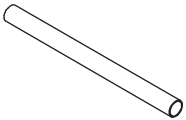
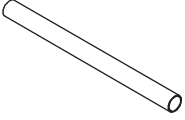
Aluminum Beam (AB) S150		
	With Timber	
	AB S-150 (150 x 75) 050 cm 1.95	FABST050
	AB S-150 (150 x 75) 075 cm 2.93	FABST075
	AB S-150 (150 x 75) 100 cm 3.90	FABST100
	AB S-150 (150 x 75) 125 cm 4.88	FABST125
	AB S-150 (150 x 75) 150 cm 5.85	FABST150
	AB S-150 (150 x 75) 175 cm 6.83	FABST175
	AB S-150 (150 x 75) 200 cm 7.80	FABST200
	AB S-150 (150 x 75) 225 cm 8.78	FABST225
	AB S-150 (150 x 75) 250 cm 9.75	FABST250
	AB S-150 (150 x 75) 275 cm 10.73	FABST275
	AB S-150 (150 x 75) 300 cm 11.70	FABST300
	AB S-150 (150 x 75) 325 cm 12.68	FABST325
	AB S-150 (150 x 75) 350 cm 13.65	FABST350
	AB S-150 (150 x 75) 375 cm 14.63	FABST375
	AB S-150 (150 x 75) 400 cm 15.60	FABST400
	AB S-150 (150 x 75) 425 cm 16.58	FABST425
	AB S-150 (150 x 75) 450 cm 17.55	FABST450
	AB S-150 (150 x 75) 475 cm 18.53	FABST475
	AB S-150 (150 x 75) 500 cm 19.50	FABST500
	AB S-150 (150 x 75) 525 cm 20.48	FABST525
	AB S-150 (150 x 75) 550 cm 21.45	FABST550
	AB S-150 (150 x 75) 575 cm 22.43	FABST575
	AB S-150 (150 x 75) 600 cm 23.40	FABST600


	Wt. (kg)	Code
Without Timber		
	AB S-150 (150 x 75) 050 cm	1.58 FABS050
	AB S-150 (150 x 75) 075 cm	2.36 FABS075
	AB S-150 (150 x 75) 100 cm	3.15 FABS100
	AB S-150 (150 x 75) 125 cm	3.94 FABS125
	AB S-150 (150 x 75) 150 cm	4.73 FABS150
	AB S-150 (150 x 75) 175 cm	5.51 FABS175
	AB S-150 (150 x 75) 200 cm	6.30 FABS200
	AB S-150 (150 x 75) 225 cm	7.09 FABS225
	AB S-150 (150 x 75) 250 cm	7.88 FABS250
	AB S-150 (150 x 75) 275 cm	8.66 FABS275
	AB S-150 (150 x 75) 300 cm	9.45 FABS300
	AB S-150 (150 x 75) 325 cm	10.24 FABS325
	AB S-150 (150 x 75) 350 cm	11.03 FABS350
	AB S-150 (150 x 75) 375 cm	11.81 FABS375
	AB S-150 (150 x 75) 400 cm	12.60 FABS400
	AB S-150 (150 x 75) 425 cm	13.39 FABS425
	AB S-150 (150 x 75) 450 cm	14.18 FABS450
	AB S-150 (150 x 75) 475 cm	14.96 FABS475
	AB S-150 (150 x 75) 500 cm	15.75 FABS500
	AB S-150 (150 x 75) 525 cm	16.54 FABS525
AB S-150 (150 x 75) 550 cm	17.33 FABS550	
AB S-150 (150 x 75) 575 cm	18.11 FABS575	
AB S-150 (150 x 75) 600 cm	18.90 FABS600	

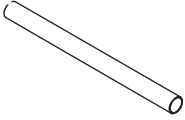
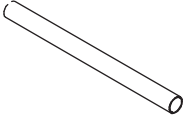
Aluminum Beam S150 (without Timber)

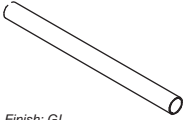
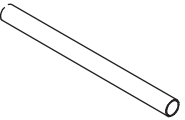
moment of resistance: 6.80 kN.m
Area: 11.96 cm
Inertia xx: 356 cm
Inertia yy: 43.764 cm
Section Modulus Zxx: 47.15 cm
Toung's Modulus: 69000 N/mm
Weight: 3.95 kg/m (with Timber)
3.20 kg/m (without Timber)
Timber Wt.=0.75 kg/m

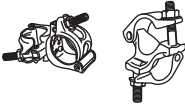

	Wt. (kg)	Code
Steel Soldier (SS)		
	SS 030 cm - Painted	8.57 FSS01P030
	SS 040 cm - Painted	9.98 FSS01P040
	SS 050 cm - Painted	11.40 FSS01P050
	SS 060 cm - Painted	12.82 FSS01P060
	SS 070 cm - Painted	14.24 FSS01P070
	SS 080 cm - Painted	15.66 FSS01P080
	SS 090 cm - Painted	17.11 FSS01P090
	SS 100 cm - Painted	18.93 FSS01P100
	SS 110 cm - Painted	20.35 FSS01P110
	SS 120 cm - Painted	21.77 FSS01P120
	SS 130 cm - Painted	23.18 FSS01P130
	SS 140 cm - Painted	24.60 FSS01P140
	SS 150 cm - Painted	26.02 FSS01P150
	SS 160 cm - Painted	27.87 FSS01P160
	SS 170 cm - Painted	29.29 FSS01P170
	SS 180 cm - Painted	30.71 FSS01P180
	SS 190 cm - Painted	32.13 FSS01P190
	SS 200 cm - Painted	33.55 FSS01P200
	SS 210 cm - Painted	34.97 FSS01P210
	SS 220 cm - Painted	36.82 FSS01P220
	SS 230 cm - Painted	38.24 FSS01P230
	SS 240 cm - Painted	39.66 FSS01P240
	SS 250 cm - Painted	41.07 FSS01P250
	SS 260 cm - Painted	42.49 FSS01P260
	SS 270 cm - Painted	43.91 FSS01P270
	SS 280 cm - Painted	45.76 FSS01P280
	SS 290 cm - Painted	47.18 FSS01P290
	SS 300 cm - Painted	48.60 FSS01P300
	SS 310 cm - Painted	50.02 FSS01P310
	SS 320 cm - Painted	51.44 FSS01P320
SS 330 cm - Painted	52.86 FSS01P330	
SS 340 cm - Painted	54.71 FSS01P340	
SS 350 cm - Painted	56.13 FSS01P350	
SS 360 cm - Painted	57.54 FSS01P360	
SS 370 cm - Painted	58.96 FSS01P370	
SS 380 cm - Painted	60.81 FSS01P380	
SS 390 cm - Painted	62.23 FSS01P390	
SS 400 cm - Painted	63.65 FSS01P400	

	Wt. (kg)	Code
Scaffold Tube (ST) Painted		
M.D. Tube		
	ST 100 cm MD	2.28 FSTP20100
	ST 150 cm MD	3.42 FSTP20150
	ST 200 cm MD	4.57 FSTP20200
	ST 250 cm MD	5.71 FSTP20250
	ST 300 cm MD	6.85 FSTP20300
	ST 350 cm MD	7.99 FSTP20350
	ST 400 cm MD	9.13 FSTP20400
	ST 450 cm MD	10.27 FSTP20450
	ST 500 cm MD	11.42 FSTP20500
	ST 550 cm MD	12.56 FSTP20550
ST 600 cm MD	13.70 FSTP20600	
H.D. Tube		
	ST 100 cm HD	3.35 FSTP30100
	ST 150 cm HD	5.03 FSTP30150
	ST 200 cm HD	6.70 FSTP30200
	ST 250 cm HD	8.38 FSTP30250
	ST 300 cm HD	10.05 FSTP30300
	ST 350 cm HD	11.73 FSTP30350
	ST 400 cm HD	13.41 FSTP30400
	ST 450 cm HD	15.08 FSTP30450
	ST 500 cm HD	16.76 FSTP30500
	ST 550 cm HD	18.43 FSTP30550
ST 600 cm HD	20.11 FSTP30600	

	Wt. (kg)	Code
Wing Nut		
	0.30	XFGWNUTE

	Wt. (kg)	Code
Scaffold Tube (ST) Black		
M.D. Tube		
	ST 100 cm MD	2.28 FSTN20100
	ST 150 cm MD	3.42 FSTN20150
	ST 200 cm MD	4.57 FSTN20200
	ST 250 cm MD	5.71 FSTN20250
	ST 300 cm MD	6.85 FSTN20300
	ST 350 cm MD	7.99 FSTN20350
	ST 400 cm MD	9.13 FSTN20400
	ST 450 cm MD	10.27 FSTN20450
	ST 500 cm MD	11.42 FSTN20500
	ST 550 cm MD	12.56 FSTN20550
ST 600 cm MD	13.70 FSTN20600	
H.D. Tube		
	ST 100 cm HD	3.35 FSTN30100
	ST 150 cm HD	5.03 FSTN30150
	ST 200 cm HD	6.70 FSTN30200
	ST 250 cm HD	8.38 FSTN30250
	ST 300 cm HD	10.05 FSTN30300
	ST 350 cm HD	11.73 FSTN30350
	ST 400 cm HD	13.41 FSTN30400
	ST 450 cm HD	15.08 FSTN30450
	ST 500 cm HD	16.76 FSTN30500
	ST 550 cm HD	18.43 FSTN30550
ST 600 cm HD	20.11 FSTN30600	

	Wt. (kg)	Code
Scaffold Tube (ST) GI		
M.D. Tube		
	ST 100 cm MD	2.28 FSTG20100
	ST 150 cm MD	3.42 FSTG20150
	ST 200 cm MD	4.57 FSTG20200
	ST 250 cm MD	5.71 FSTG20250
	ST 300 cm MD	6.85 FSTG20300
	ST 350 cm MD	7.99 FSTG20350
	ST 400 cm MD	9.13 FSTG20400
	ST 450 cm MD	10.27 FSTG20450
	ST 500 cm MD	11.42 FSTG20500
	ST 550 cm MD	12.56 FSTG20550
ST 600 cm MD	13.70 FSTG20600	
H.D. Tube		
	ST 100 cm HD	3.35 FSTG30100
	ST 150 cm HD	5.03 FSTG30150
	ST 200 cm HD	6.70 FSTG30200
	ST 250 cm HD	8.38 FSTG30250
	ST 300 cm HD	10.05 FSTG30300
	ST 350 cm HD	11.73 FSTG30350
	ST 400 cm HD	13.41 FSTG30400
	ST 450 cm HD	15.08 FSTG30450
	ST 500 cm HD	16.76 FSTG30500
	ST 550 cm HD	18.43 FSTG30550
ST 600 cm HD	20.11 FSTG30600	

	Wt. (kg)	Code
Scaffold Couplers		
	DC 1.5"x1.5" (D/F)	0.99 XFGCDD4848
	DC 2.0"x1.5" (D/F)	1.20 XFGCDD6048
	DC 1.5"x1.5" (Pressed)	0.73 XFGCDP4848
	SC 1.5"x1.5" (D/F)	1.10 XFGCSD4848
	SC 2.0" X 1.5" (D/F)	1.25 XFGCSD6048
	SC 1.5"x1.5" (Pressed)	0.68 XFGCSP4848

	Wt. (kg)	Code
Round Wing Nut		
	0.63	XANUT15100
Round Wing Nut(Anchor Nut)		
<i>Finish: Electroplated DIA.: 100 mm</i>		
Counter Plate		
	0.23	XFGCP80E0945
Counter Plate 90x90x6 mm	0.35	XFGCP60E09
Counter Plate 90x90x8 mm	0.49	XFGCP80E09
Counter Plate 120x120 mm	0.72	XFGCP80E12
Counter Plate 150x150 mm	1.40	XFGCP80E15
<i>Finish: Electroplated</i>		
Water Stopper		
	0.01	XFGPR
Water Stopper GI Finish	0.56	XFGWSE
<i>Plastic Reducer</i>		
Bolt, Nut and Washer		
	0.14	XFGGH1210
Bolt and Nut M12x40 (Full Threaded) G8	0.10	XFGBF12040
Bolt and Nut M16X150	0.33	XFGBF16150
Bolt, Nut & Washer 16X100 mm	0.20	XFGBF16100
Bolt, Nut & Washer 16X100 mm G10	0.25	XFGBG16100
Bolt, Nut & Washer 16X40 mm	0.14	XFGBF16040
Bolt, Nut & Washer 14X100 mm	0.15	XFGBF14100
Bolt, Nut & Washer M12X80 (Carriage)	0.09	XFGBF12080
Bolt, Nut & Washer 10X100 (Half Threaded)	0.08	XFGBH10100
Bolt, Nut & Washer 10X75 (Full Threaded)	0.07	XFGBF10075
Bolt, Nut & Washer 10X30 mm	0.04	XFGBON10030W
Bolt and Nut w/o Washer 06x40 mm GI	0.01	XFGBON0640GN
<i>Full Threaded Bolt, Nut and Washers</i>		
<i>Half Threaded Bolt, Nut and Washers</i>		
H20 C-Clamp (Soldier to H20)		
	0.90	XFGH20C
H20 C-Clamp (Soldier to H20)		
Universal Clamp (Aluminum to Soldier)		
	0.57	FSS99E027
Universal Clamp E/P (Aluminum to Soldier)		
<i>Finish: Electroplated</i>		
Plastic Sleeve		
	0.15	XFGPSL100
Plastic Sleeve 1M		
Plastic Cone		
	0.01	XFGCONE
Plastic Cone		
SF Anchor Hook 35 cm		
	0.78	FSFAH35
SF Anchor Hook 35 cm		

	Wt. (kg)	Code
Tie Rod		
<i>Dia.: 16 mm</i>		
Tie Rod 015 cm Black	0.23	XFGTRB015
Tie Rod 020 cm Black	0.31	XFGTRB020
Tie Rod 025 cm Black	0.39	XFGTRB025
Tie Rod 030 cm Black	0.47	XFGTRB030
Tie Rod 035 cm Black	0.54	XFGTRB035
Tie Rod 040 cm Black	0.62	XFGTRB040
Tie Rod 045 cm Black	0.70	XFGTRB045
Tie Rod 050 cm Black	0.78	XFGTRB050
Tie Rod 055 cm Black	0.85	XFGTRB055
Tie Rod 060 cm Black	0.93	XFGTRB060
Tie Rod 065 cm Black	1.01	XFGTRB065
Tie Rod 070 cm Black	1.09	XFGTRB070
Tie Rod 075 cm Black	1.16	XFGTRB075
Tie Rod 080 cm Black	1.24	XFGTRB080
Tie Rod 085 cm Black	1.32	XFGTRB085
Tie Rod 090 cm Black	1.40	XFGTRB090
Tie Rod 095 cm Black	1.47	XFGTRB095
Tie Rod 100 cm Black	1.55	XFGTRB100
Tie Rod 105 cm Black	1.63	XFGTRB105
Tie Rod 110 cm Black	1.71	XFGTRB110
Tie Rod 115 cm Black	1.78	XFGTRB115
Tie Rod 120 cm Black	1.86	XFGTRB120
Tie Rod 125 cm Black	1.94	XFGTRB125
Tie Rod 130 cm Black	2.02	XFGTRB130
Tie Rod 135 cm Black	2.09	XFGTRB135
Tie Rod 140 cm Black	2.17	XFGTRB140
Tie Rod 145 cm Black	2.25	XFGTRB145
Tie Rod 150 cm Black	2.33	XFGTRB150
Tie Rod 155 cm Black	2.40	XFGTRB155
Tie Rod 160 cm Black	2.48	XFGTRB160
Tie Rod 165 cm Black	2.56	XFGTRB165
Tie Rod 170 cm Black	2.64	XFGTRB170
Tie Rod 175 cm Black	2.71	XFGTRB175
Tie Rod 180 cm Black	2.79	XFGTRB180
Tie Rod 185 cm Black	2.87	XFGTRB185
Tie Rod 190 cm Black	2.95	XFGTRB190
Tie Rod 195 cm Black	3.02	XFGTRB195
Tie Rod 200 cm Black	3.10	XFGTRB200
Tie Rod 205 cm Black	3.18	XFGTRB205
Tie Rod 210 cm Black	3.26	XFGTRB210
Tie Rod 215 cm Black	3.33	XFGTRB215
Tie Rod 220 cm Black	3.41	XFGTRB220
Tie Rod 225 cm Black	3.49	XFGTRB225
Tie Rod 230 cm Black	3.57	XFGTRB230
Tie Rod 235 cm Black	3.64	XFGTRB235
Tie Rod 240 cm Black	3.72	XFGTRB240
Tie Rod 245 cm Black	3.80	XFGTRB245
Tie Rod 250 cm Black	3.88	XFGTRB250
Tie Rod 255 cm Black	3.95	XFGTRB255
Tie Rod 260 cm Black	4.03	XFGTRB260
Tie Rod 265 cm Black	4.11	XFGTRB265
Tie Rod 270 cm Black	4.19	XFGTRB270
Tie Rod 275 cm Black	4.26	XFGTRB275
Tie Rod 280 cm Black	4.34	XFGTRB280
Tie Rod 285 cm Black	4.42	XFGTRB285
Tie Rod 290 cm Black	4.50	XFGTRB290
Tie Rod 295 cm Black	4.57	XFGTRB295
Tie Rod 300 cm Black	4.65	XFGTRB300
Tie Rod 310 cm Black	4.81	XFGTRB310
Tie Rod 320 cm Black	4.96	XFGTRB320
Tie Rod 330 cm Black	5.12	XFGTRB330
Tie Rod 340 cm Black	5.27	XFGTRB340
Tie Rod 350 cm Black	5.43	XFGTRB350
Tie Rod 360 cm Black	5.58	XFGTRB360
Tie Rod 370 cm Black	5.74	XFGTRB370
Tie Rod 380 cm Black	5.89	XFGTRB380
Tie Rod 390 cm Black	6.05	XFGTRB390
Tie Rod 400 cm Black	6.20	XFGTRB400
Tie Rod 410 cm Black	6.36	XFGTRB410
Tie Rod 420 cm Black	6.51	XFGTRB420
Tie Rod 430 cm Black	6.67	XFGTRB430
Tie Rod 440 cm Black	6.82	XFGTRB440
Tie Rod 450 cm Black	6.98	XFGTRB450
Tie Rod 460 cm Black	7.13	XFGTRB460
Tie Rod 470 cm Black	7.29	XFGTRB470
Tie Rod 480 cm Black	7.44	XFGTRB480
Tie Rod 490 cm Black	7.60	XFGTRB490
Tie Rod 500 cm Black	7.75	XFGTRB500
Tie Rod 510 cm Black	7.91	XFGTRB510
Tie Rod 520 cm Black	8.06	XFGTRB520
Tie Rod 530 cm Black	8.22	XFGTRB530
Tie Rod 540 cm Black	8.37	XFGTRB540
Tie Rod 550 cm Black	8.53	XFGTRB550
Tie Rod 560 cm Black	8.68	XFGTRB560
Tie Rod 570 cm Black	8.84	XFGTRB570
Tie Rod 580 cm Black	8.99	XFGTRB580
Tie Rod 590 cm Black	9.15	XFGTRB590
Tie Rod 600 cm Black	9.30	XFGTRB600



Abu Dhabi

Dubai

T: +971 2 5500688

T: +971 4 8862855

F: +971 2 5500689

F: +971 4 5562558

P.O. BOX: 41851, Abu Dhabi, UAE

P.O. BOX: 18234, Jebel Ali, UAE

WWW.SCAFFCO.COM