



SCAFFCO
Formwork & Scaffolding

SPF 50 - System **The Perfectly Used System for Complex Confined Spaces**



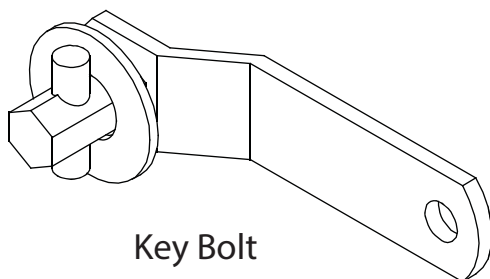
SPF system is a complete, crane-independent formwork system that enables high quality shuttering of all structures while being cost effective.

The most important aspect of a successful structural construction is the formwork system. SPF System offers the most trustful, secure, efficient and cutting edge of formwork technology for various structures. The SPF System is an ingenious small-panel formwork system that was specially designed for cost-effective forming of concrete elements.

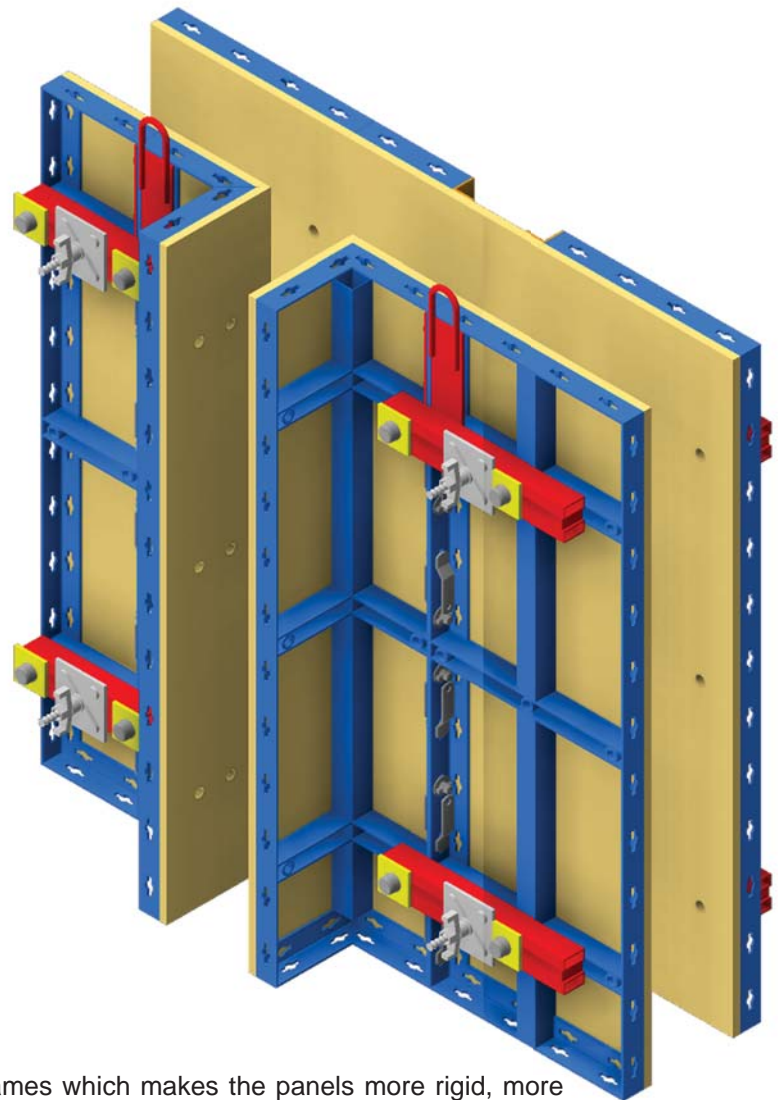
All of the panels belonging to this system are relatively light and handy that they can be handled and fitted by a maximum of two people.

SPF system, can be used for:

- Walls
- Foundations
- Single-Sided Formwork
- Slab Formwork
- Beams
- Slab sides
- Columns



Key Bolt



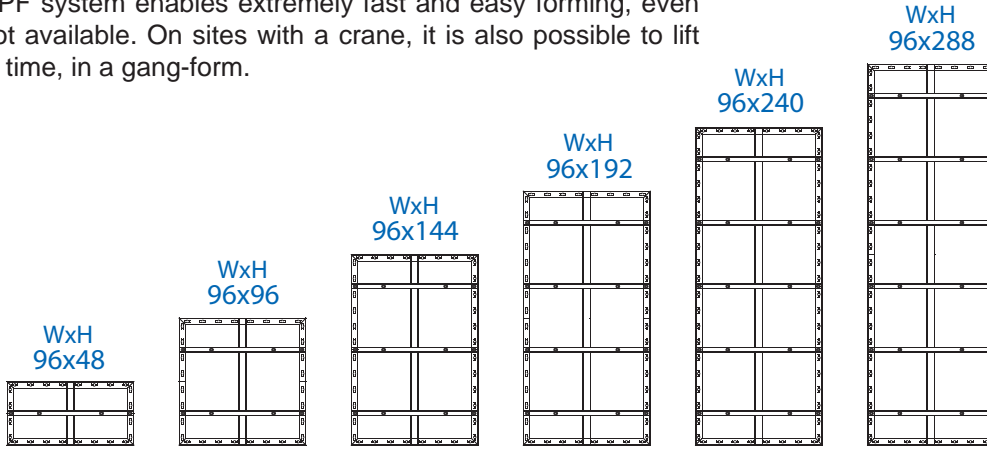
System Features

- SPF system panels are made from steel frames which makes the panels more rigid, more robust and lighter than competitor panels. SPF system enables huge saving in timber elements at site.
- SPF system can be used without requiring a crane, which dramatically reduces construction costs.
- The quality 18mm plywood sheet overlay on the face provides long life and a high quality finish for the concrete.
- SPF system has a wide range of panel sizes, allowing virtually any configuration to be erected. The erection and striking of SPF system is fast and straight forward and only needs a team of two, thereby saving time and money.
- Panels are attached together using Key Bolt, which improves erection time.
- SPF system's comprehensive range of accessories enable it to be used in an extensive range of construction projects.
- SPF system panels can be used with steel soldiers or steel walers to create large crane handled formwork shutters.

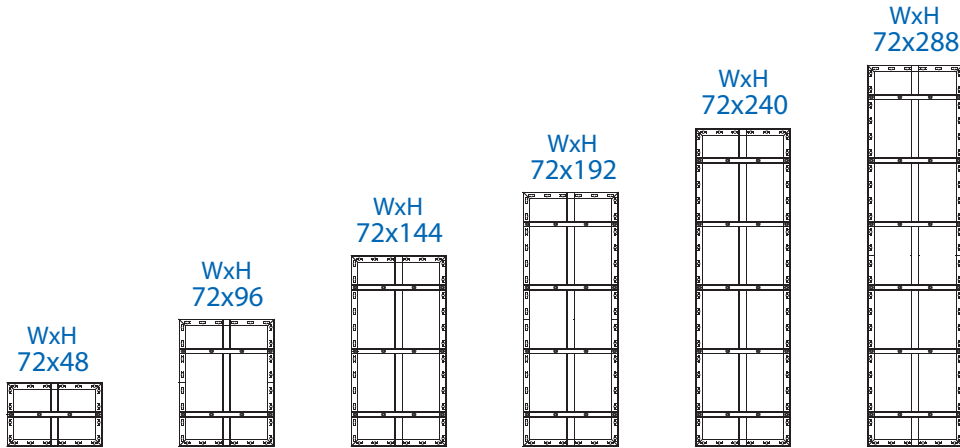
Panel Sizes

The SPF system panels are lightweight and handy, so they can be erected very quickly by hand. SPF system enables extremely fast and easy forming, even when a crane is not available. On sites with a crane, it is also possible to lift several panels at a time, in a gang-form.

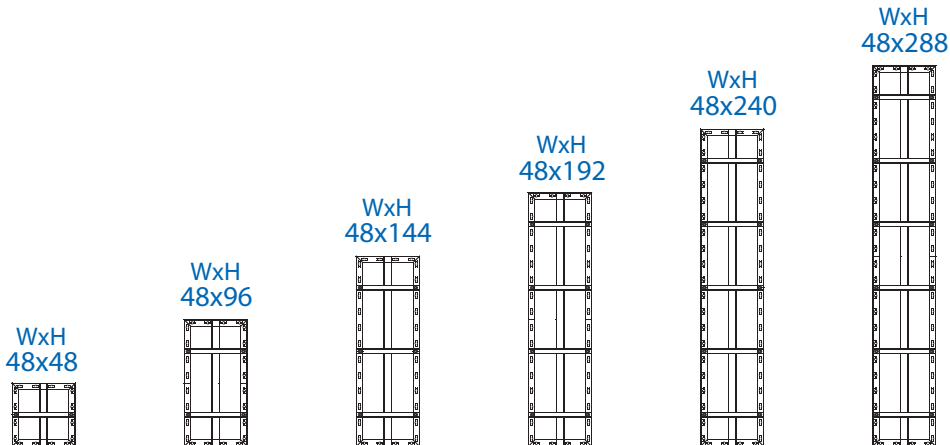
96 - Family



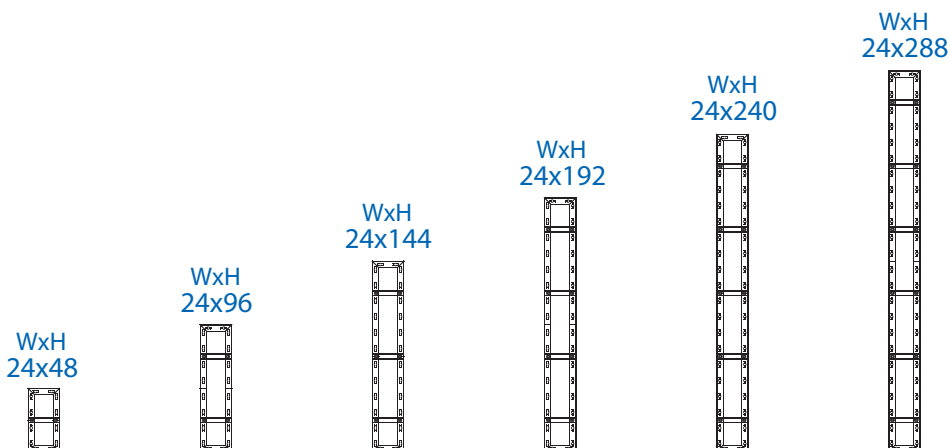
72 - Family



48 - Family

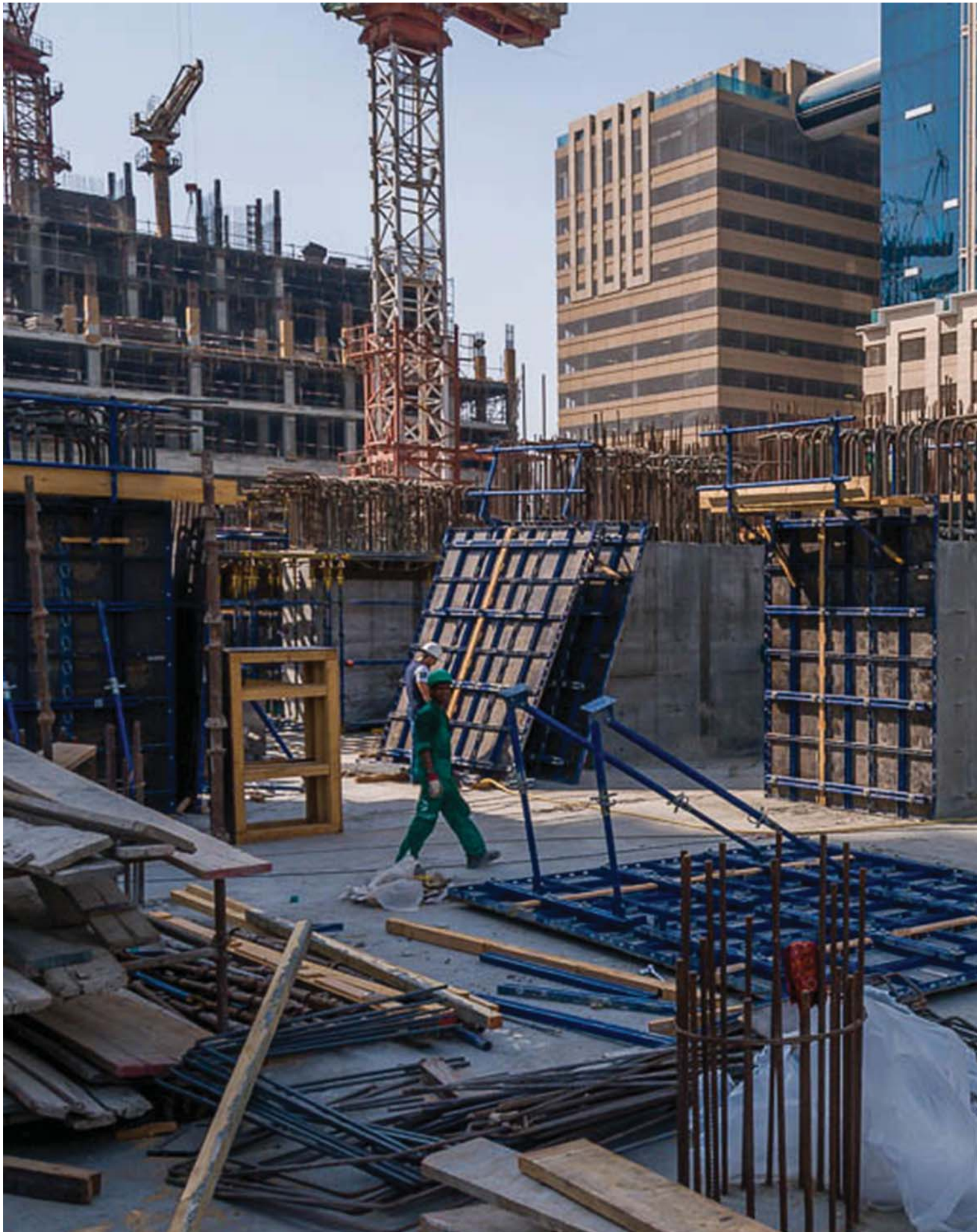


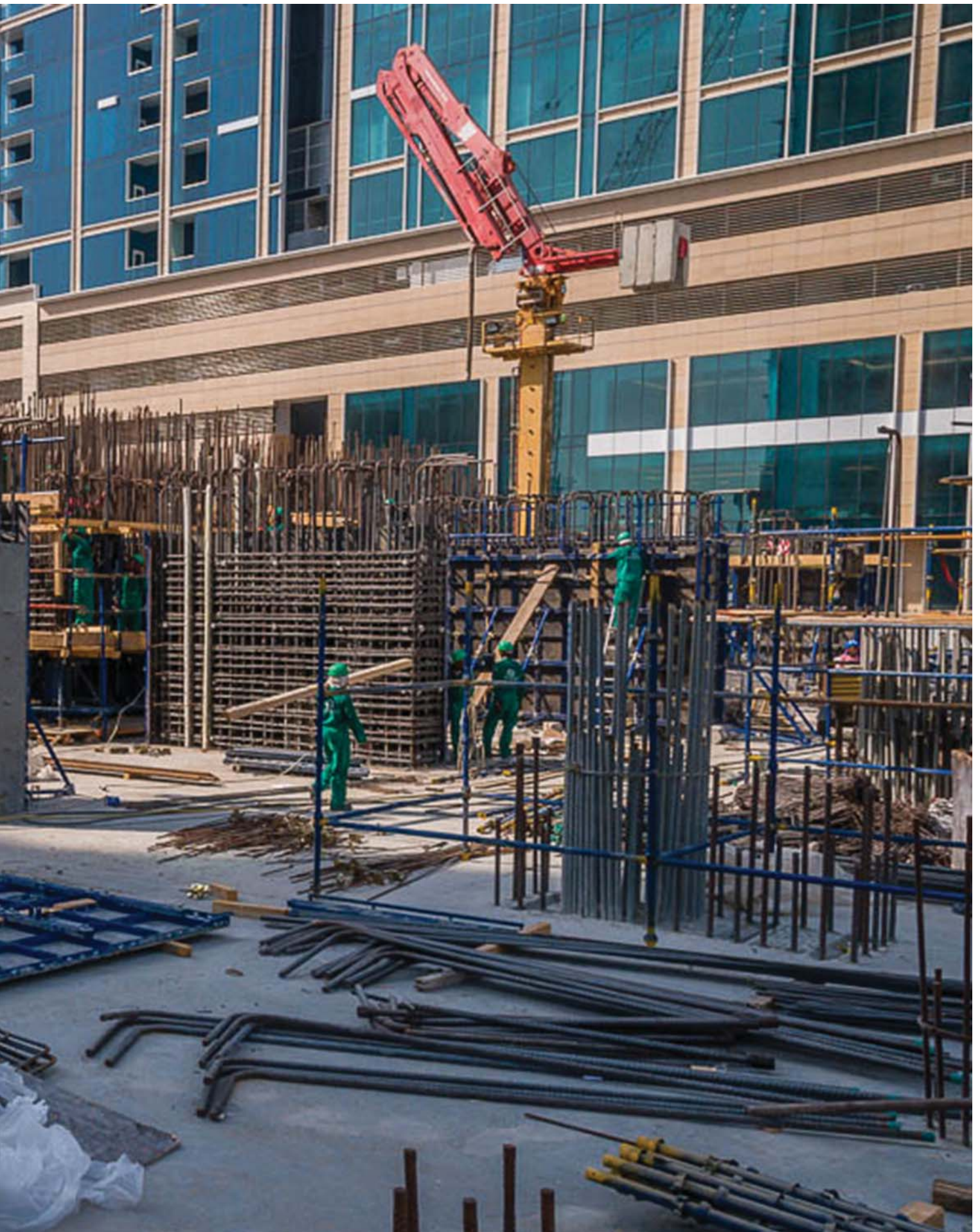
24 - Family





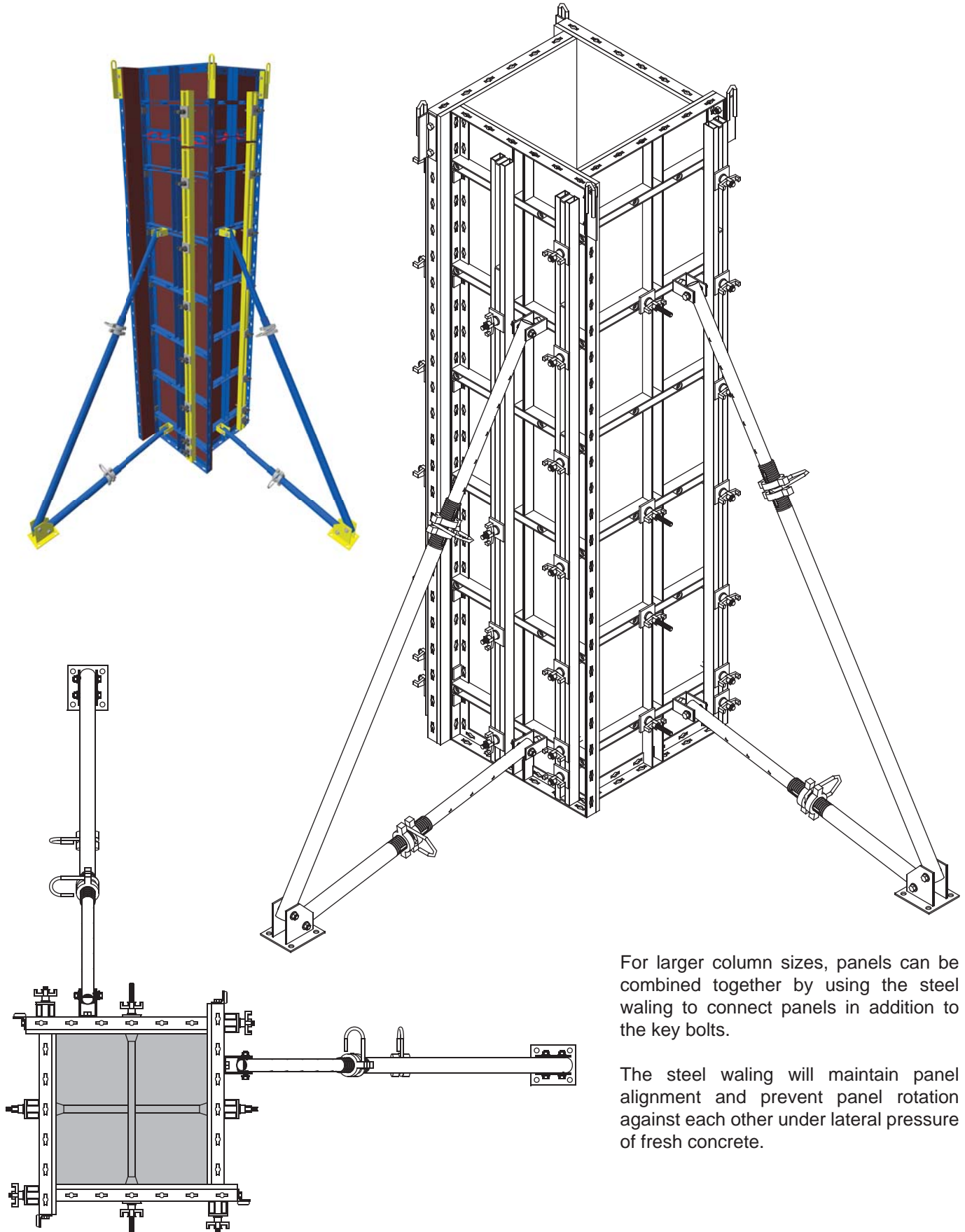
Ideal for Cost-Saving Forming both with or without a Crane





Adjustable Column Formwork

There are several different ways of using SPF system to make column formworks, either by using the standard size panels for flexible accommodation to column cross sections with fine-adjustment ability or by combining panels to the required size, which is a highly economical solution for certain cross sections of column.



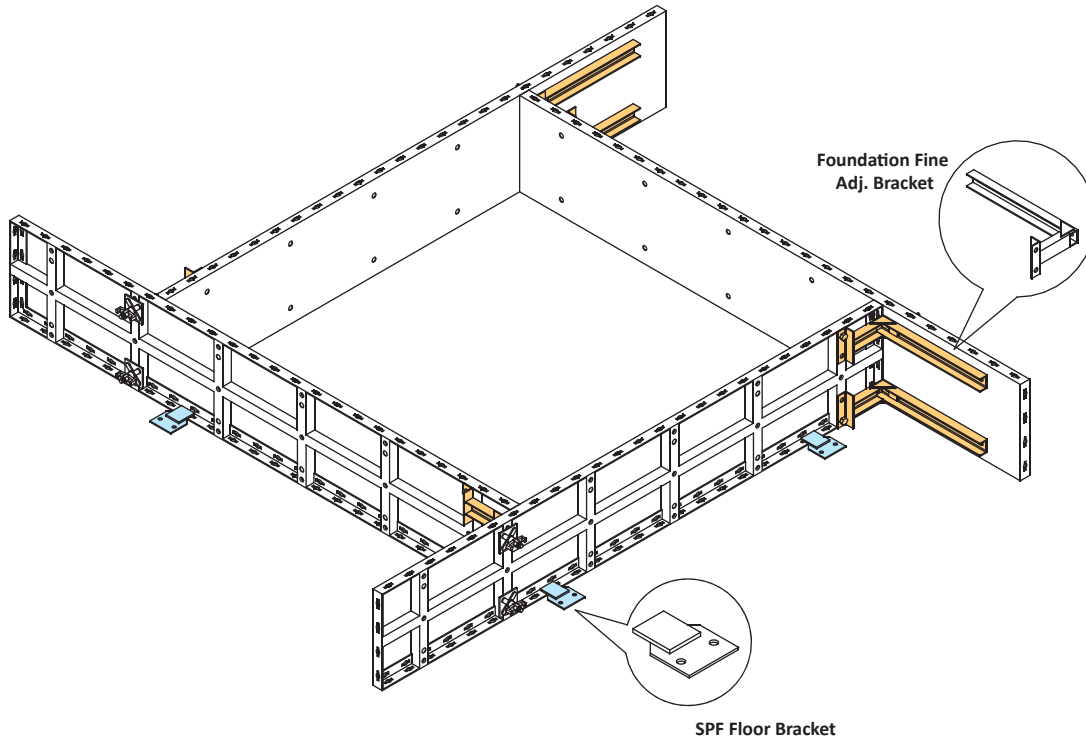
For larger column sizes, panels can be combined together by using the steel waling to connect panels in addition to the key bolts.

The steel waling will maintain panel alignment and prevent panel rotation against each other under lateral pressure of fresh concrete.



Adjustable Foundation Formwork

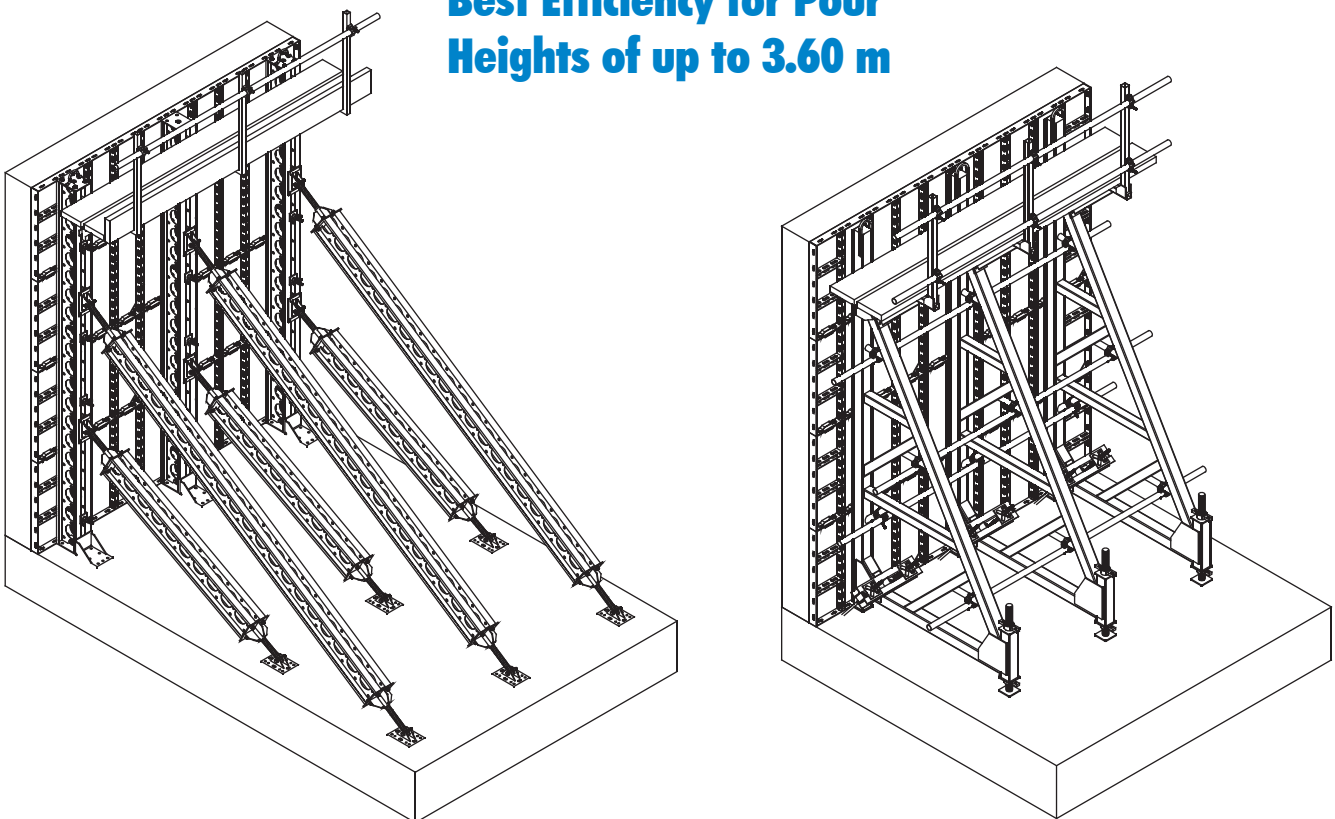
The SPF system panels can also be used for foundations. Foundations can quickly be formed with any of the SPF system panels, with the panels either upright or horizontal. Key bolts and a blow with the hammer are all it takes to join the panels. A range of practical accessories makes the work very much easier.



Single Sided Wall Formwork

In conjunction with the steel soldiers or supporting frame, the robust SPF system panels can also be used as one-sided wall formwork.

Best Efficiency for Pour Heights of up to 3.60 m









SPF 50 - System **The Perfectly Used System for Complex Confined Spaces**



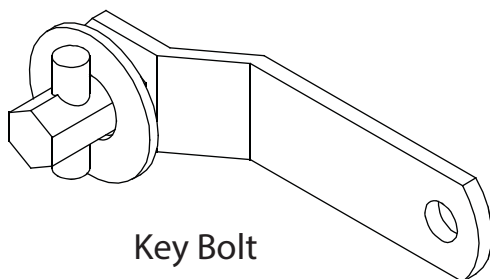
SPF system is a complete, crane-independent formwork system that enables high quality shuttering of all structures while being cost effective.

The most important aspect of a successful structural construction is the formwork system. SPF System offers the most trustful, secure, efficient and cutting edge of formwork technology for various structures. The SPF System is an ingenious small-panel formwork system that was specially designed for cost-effective forming of concrete elements.

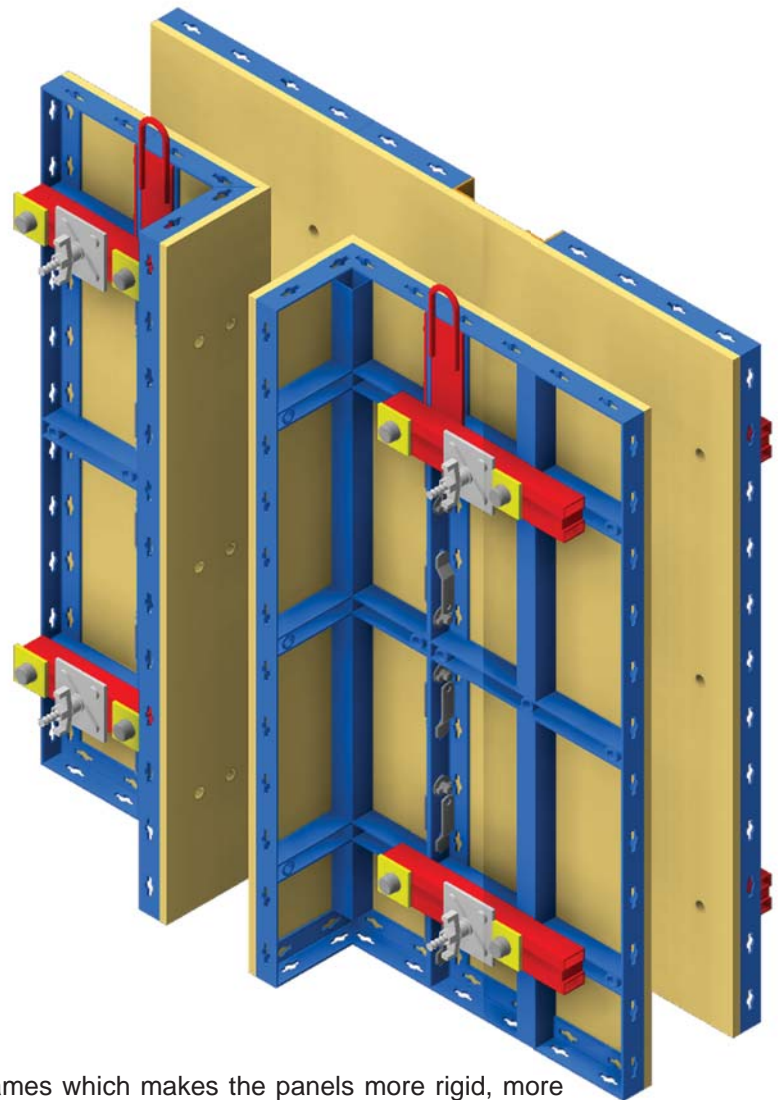
All of the panels belonging to this system are relatively light and handy that they can be handled and fitted by a maximum of two people.

SPF system, can be used for:

- Walls
- Foundations
- Single-Sided Formwork
- Slab Formwork
- Beams
- Slab sides
- Columns



Key Bolt



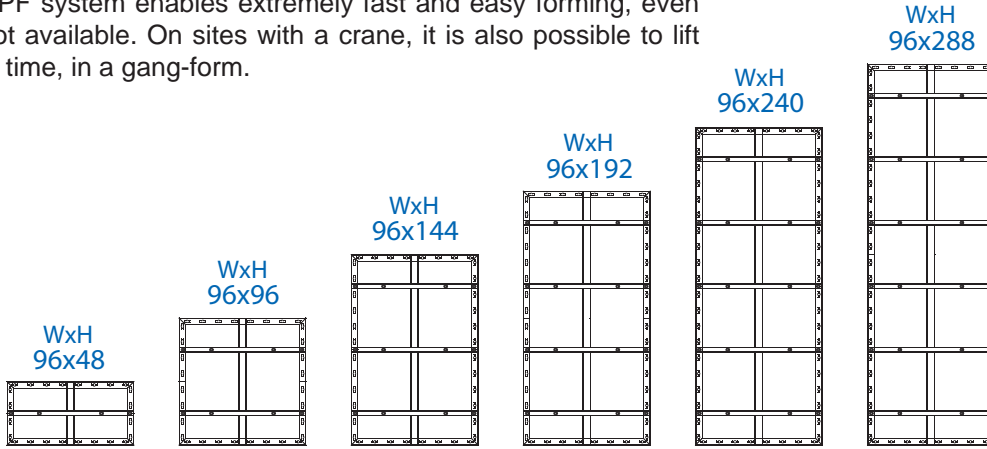
System Features

- SPF system panels are made from steel frames which makes the panels more rigid, more robust and lighter than competitor panels. SPF system enables huge saving in timber elements at site.
- SPF system can be used without requiring a crane, which dramatically reduces construction costs.
- The quality 18mm plywood sheet overlay on the face provides long life and a high quality finish for the concrete.
- SPF system has a wide range of panel sizes, allowing virtually any configuration to be erected. The erection and striking of SPF system is fast and straight forward and only needs a team of two, thereby saving time and money.
- Panels are attached together using Key Bolt, which improves erection time.
- SPF system's comprehensive range of accessories enable it to be used in an extensive range of construction projects.
- SPF system panels can be used with steel soldiers or steel walers to create large crane handled formwork shutters.

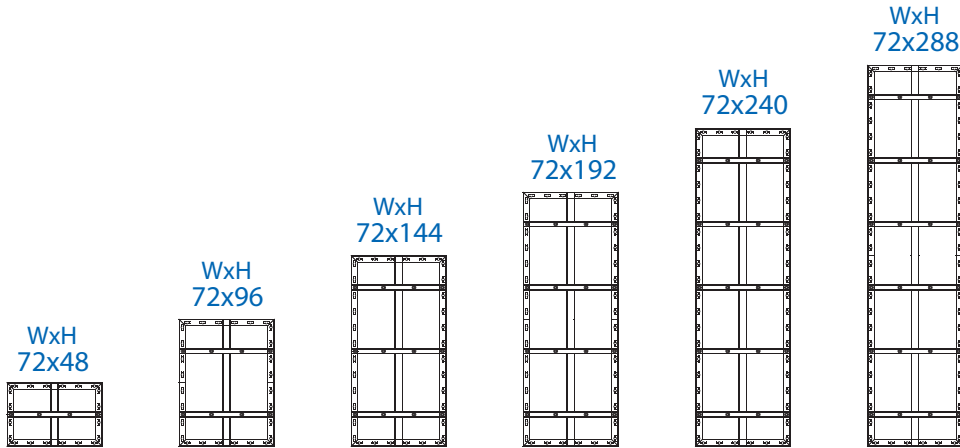
Panel Sizes

The SPF system panels are lightweight and handy, so they can be erected very quickly by hand. SPF system enables extremely fast and easy forming, even when a crane is not available. On sites with a crane, it is also possible to lift several panels at a time, in a gang-form.

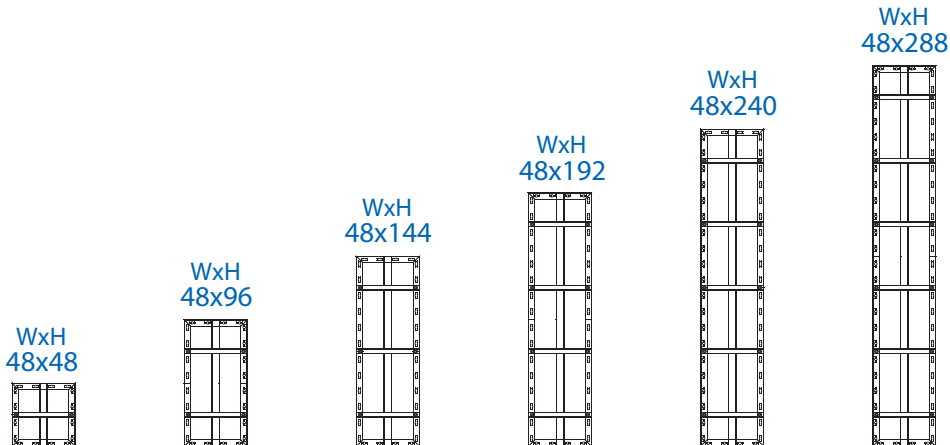
96 - Family



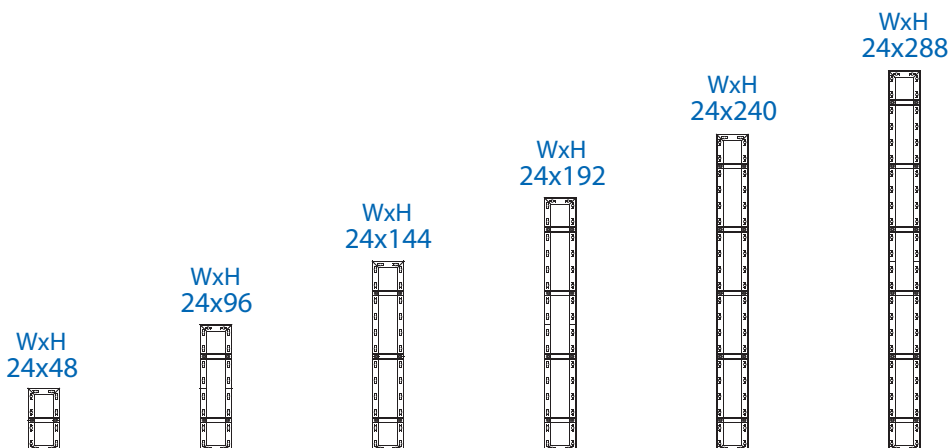
72 - Family



48 - Family

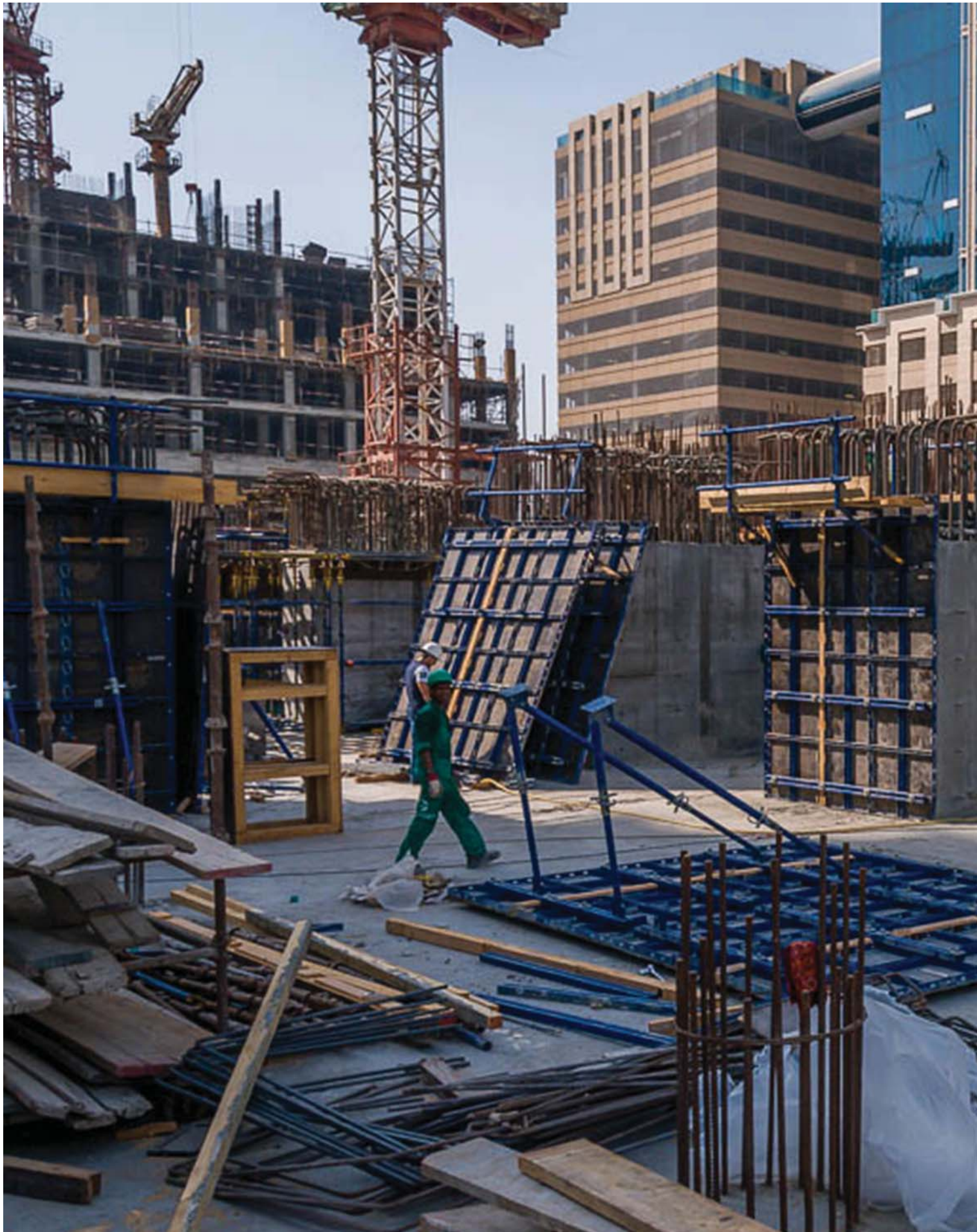


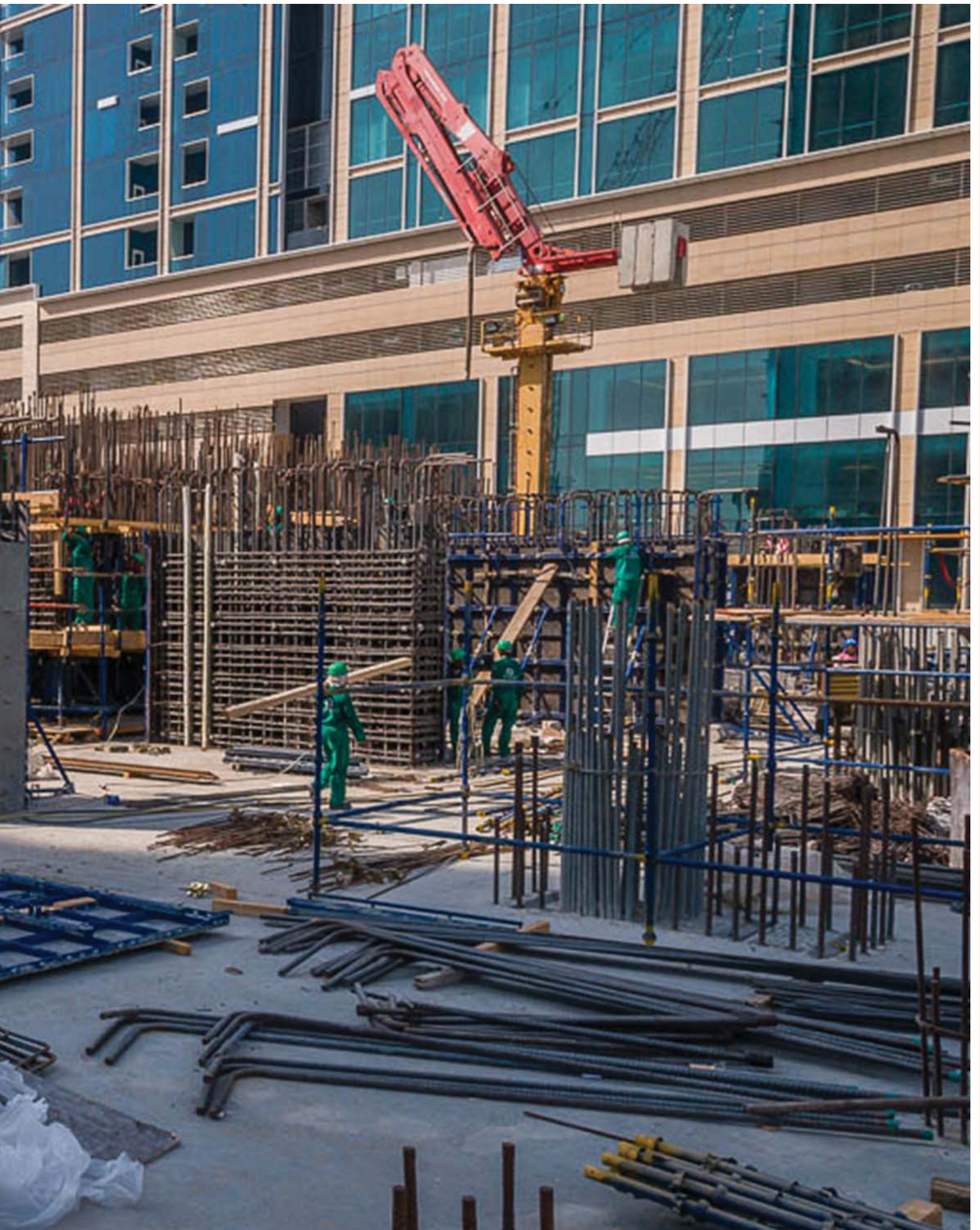
24 - Family



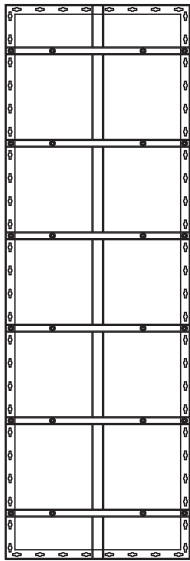


Ideal for Cost-Saving Forming both with or without a Crane





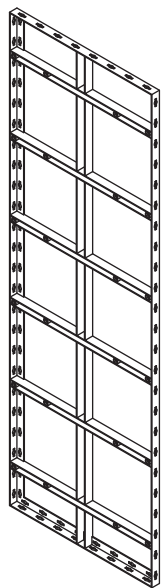
SPF Steel Panel (SP)



Plywood Sheathing

	Wt. (kg)	Code
SPF SP 020 X 096 cm	11.84	FSPF020096W
SPF SP 020 X 120 cm	15.08	FSPF020120W
SPF SP 024 X 048 cm	06.81	FSPF024048W
SPF SP 024 X 096 cm	12.38	FSPF024096W
SPF SP 024 X 120 cm	16.23	FSPF024120W
SPF SP 024 X 144 cm	17.96	FSPF024144W
SPF SP 024 X 192 cm	23.45	FSPF024192W
SPF SP 024 X 204 cm	25.34	FSPF024204W
SPF SP 024 X 240 cm	29.02	FSPF024240W
SPF SP 024 X 288 cm	34.67	FSPF024288W
SPF SP 024 X 324 cm	40.31	FSPF024324W
SPF SP 024 X 336 cm	40.24	FSPF024336W
SPF SP 030 X 096 cm	14.24	FSPF030096W
SPF SP 030 X 156 cm	23.17	FSPF030156W
SPF SP 048 X 048 cm	12.13	FSPF048048W
SPF SP 048 X 096 cm	21.48	FSPF048096W
SPF SP 048 X 120 cm	27.71	FSPF048120W
SPF SP 048 X 144 cm	30.84	FSPF048144W
SPF SP 048 X 192 cm	40.13	FSPF048192W
SPF SP 048 X 204 cm	42.86	FSPF048204W
SPF SP 048 X 240 cm	49.49	FSPF048240W
SPF SP 048 X 288 cm	58.92	FSPF048288W
SPF SP 048 X 324 cm	67.69	FSPF048324W
SPF SP 048 X 336 cm	68.28	FSPF048336W
SPF SP 060 X 060 cm	16.48	FSPF060060W
SPF SP 060 X 090 cm	24.24	FSPF060090W
SPF SP 060 X 096 cm	25.21	FSPF060096W
SPF SP 060 X 120 cm	32.49	FSPF060120W
SPF SP 060 X 180 cm	45.42	FSPF060180W
SPF SP 072 X 048 cm	16.22	FSPF072048W
SPF SP 072 X 072 cm	21.34	FSPF072072W
SPF SP 072 X 096 cm	28.02	FSPF072096W
SPF SP 072 X 120 cm	36.14	FSPF072120W
SPF SP 072 X 144 cm	39.81	FSPF072144W
SPF SP 072 X 192 cm	51.53	FSPF072192W
SPF SP 072 X 204 cm	54.57	FSPF072204W
SPF SP 072 X 240 cm	63.33	FSPF072240W
SPF SP 072 X 288 cm	75.22	FSPF072288W
SPF SP 072 X 324 cm	86.14	FSPF072324W
SPF SP 072 X 336 cm	86.99	FSPF072336W
SPF SP 090 X 090 cm	31.75	FSPF090090W
SPF SP 090 X 120 cm	41.67	FSPF090120W
SPF SP 096 X 048 cm	19.96	FSPF096048W
SPF SP 096 X 096 cm	33.74	FSPF096096W
SPF SP 096 X 120 cm	43.45	FSPF096120W
SPF SP 096 X 144 cm	47.67	FSPF096144W
SPF SP 096 X 192 cm	61.45	FSPF096192W
SPF SP 096 X 204 cm	64.78	FSPF096204W
SPF SP 096 X 240 cm	75.31	FSPF096240W
SPF SP 096 X 288 cm	89.23	FSPF096288W
SPF SP 096 X 324 cm	101.98	FSPF096324W
SPF SP 096 X 336 cm	103.08	FSPF096336W

Steel Sheathing



SPF SP 024 X 048 cm	8.31	FSPF024048
SPF SP 024 X 096 cm	15.43	FSPF024096
SPF SP 024 X 144 cm	22.56	FSPF024144
SPF SP 024 X 192 cm	29.68	FSPF024192
SPF SP 024 X 288 cm	43.93	FSPF024288
SPF SP 024 X 336 cm	51.06	FSPF024336
SPF SP 048 X 048 cm	15.23	FSPF048048
SPF SP 048 X 096 cm	27.74	FSPF048096
SPF SP 048 X 144 cm	40.24	FSPF048144
SPF SP 048 X 192 cm	52.75	FSPF048192
SPF SP 048 X 240 cm	65.26	FSPF048240
SPF SP 048 X 288 cm	77.76	FSPF048288
SPF SP 048 X 336 cm	90.27	FSPF048336
SPF SP 072 X 048 cm	20.87	FSPF072048
SPF SP 072 X 096 cm	37.41	FSPF072096
SPF SP 072 X 144 cm	53.94	FSPF072144
SPF SP 072 X 192 cm	70.48	FSPF072192
SPF SP 072 X 240 cm	87.01	FSPF072240
SPF SP 072 X 288 cm	103.55	FSPF072288
SPF SP 072 X 336 cm	120.08	FSPF072336
SPF SP 096 X 048 cm	26.14	FSPF096048
SPF SP 096 X 096 cm	46.33	FSPF096096
SPF SP 096 X 144 cm	66.52	FSPF096144
SPF SP 096 X 192 cm	86.71	FSPF096192
SPF SP 096 X 240 cm	106.90	FSPF096240
SPF SP 096 X 288 cm	127.09	FSPF096288
SPF SP 096 X 336 cm	147.28	FSPF096336
SPF SP 048 X 020 cm	06.67	FSPF020048
SPF SP 288 X 020 cm	35.10	FSPF020288
SPF SP 240 X 024 cm	36.81	FSPF024240
SPF SP 048 X 025 cm	08.33	FSPF025048
SPF SP 288 X 025 cm	43.87	FSPF025288

Finish: Painted

Wt. (kg) Code

No Sheathing (Flat Bolt Included)

SPF SP 024 X 048 cm Painted	5.83	FSPF024048N
SPF SP 024 X 096 cm Painted	10.39	FSPF024096N
SPF SP 024 X 144 cm Painted	14.96	FSPF024144N
SPF SP 024 X 192 cm Painted	19.52	FSPF024192N
SPF SP 024 X 240 cm Painted	24.09	FSPF024240N
SPF SP 024 X 288 cm Painted	28.65	FSPF024288N
SPF SP 024 X 336 cm Painted	33.22	FSPF024336N
SPF SP 048 X 048 cm Painted	10.11	FSPF048048N
SPF SP 048 X 096 cm Painted	17.35	FSPF048096N
SPF SP 048 X 144 cm Painted	24.58	FSPF048144N
SPF SP 048 X 192 cm Painted	31.81	FSPF048192N
SPF SP 048 X 240 cm Painted	39.05	FSPF048240N
SPF SP 048 X 288 cm Painted	46.28	FSPF048288N
SPF SP 048 X 336 cm Painted	53.52	FSPF048336N
SPF SP 072 X 048 cm Painted	13.12	FSPF072048N
SPF SP 072 X 096 cm Painted	21.67	FSPF072096N
SPF SP 072 X 144 cm Painted	30.22	FSPF072144N
SPF SP 072 X 192 cm Painted	38.77	FSPF072192N
SPF SP 072 X 240 cm Painted	47.31	FSPF072240N
SPF SP 072 X 288 cm Painted	55.86	FSPF072288N
SPF SP 072 X 336 cm Painted	64.41	FSPF072336N
SPF SP 096 X 048 cm Painted	15.75	FSPF096048N
SPF SP 096 X 096 cm Painted	25.24	FSPF096096N
SPF SP 096 X 144 cm Painted	34.73	FSPF096144N
SPF SP 096 X 192 cm Painted	44.22	FSPF096192N
SPF SP 096 X 240 cm Painted	53.71	FSPF096240N
SPF SP 096 X 288 cm Painted	63.21	FSPF096288N
SPF SP 096 X 336 cm Painted	72.70	FSPF096336N

SPF Steel Angle



SPF Steel Angle 048 cm	1.61	FSPFSA048
SPF Steel Angle 144 cm	4.84	FSPFSA144
SPF Steel Angle 240 cm	8.70	FSPFSA240
SPF Steel Angle 288 cm	9.68	FSPFSA288

Finish: Painted

Steel Panel Inside Corner (SPIC)75x75





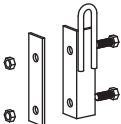




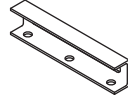
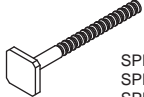
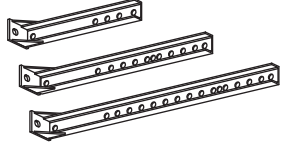
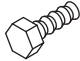
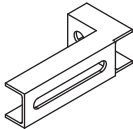

SPIC 75X75 - 048 cm	4.24	FSPFIC075048
SPIC 75X75 - 060 cm	5.30	FSPFIC075060
SPIC 75X75 - 072 cm	6.36	FSPFIC075072
SPIC 75X75 - 096 cm	8.48	FSPFIC075096
SPIC 75X75 - 120 cm	10.61	FSPFIC075120
SPIC 75X75 - 144 cm	12.72	FSPFIC075144
SPIC 75X75 - 192 cm	16.97	FSPFIC075192
SPIC 75X75 - 204 cm	18.03	FSPFIC075204
SPIC 75X75 - 240 cm	21.21	FSPFIC075240
SPIC 75X75 - 288 cm	25.45	FSPFIC075288
SPIC 75X75 - 336 cm	29.69	FSPFIC075336

Steel Panel Outside Corner (SPOC) 75x75

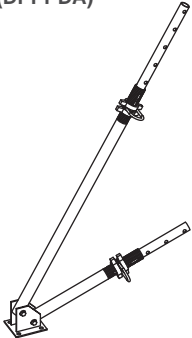



SPOC - 048 cm (With 04 No of M16X40 Bolt & Nut)	3.45	FSPFSAC048
SPOC - 072 cm (With 06 No of M16X40 Bolt & Nut)	5.40	FSPFSAC072
SPOC - 096 cm (With 08 No of M16X40 Bolt & Nut)	6.70	FSPFSAC096
SPOC - 144 cm (With 12 No of M16X40 Bolt & Nut)	9.96	FSPFSAC144
SPOC - 156 cm (With 20 No of M16X40 Bolt & Nut)	12.10	FSPFSAC156
SPOC - 192 cm (With 16 No of M16X40 Bolt & Nut)	13.31	FSPFSAC192
SPOC - 204 cm (With 16 No of M16X40 Bolt & Nut)	14.14	FSPFSAC204
SPOC - 240 cm (With 20 No of M16X40 Bolt & Nut)	16.57	FSPFSAC240
SPOC - 288 cm (With 24 No of M16X40 Bolt & Nut)	19.83	FSPFSAC288
SPOC - 336 cm (With 28 No of M16X40 Bolt & Nut)	23.08	FSPFSAC336

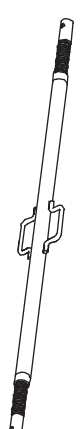
	Wt. (kg)	Code
SPF Jacky		
	SPF Jacky 048 cm (With 2 No of Flat Bolt)	1.88 FSPFJS048
	SPF Jacky 072 cm (With 4 No of Flat Bolt)	2.75 FSPFJS072
	SPF Jacky 096 cm (With 2 No of Flat Bolt)	3.67 FSPFJS096
	SPF Jacky 120 cm (With 6 No of Flat Bolt)	4.37 FSPFJS120
	SPF Jacky 144 cm (With 3 No of Flat Bolt)	5.52 FSPFJS144
	SPF Jacky 192 cm (With 4 No of Flat Bolt)	7.35 FSPFJS192
	SPF Jacky 204 cm (With 8 No of Flat Bolt)	7.43 FSPFJS204
	SPF Jacky 240 cm (With 5 No of Flat Bolt)	9.19 FSPFJS240
	SPF Jacky 288 cm (With 6 No of Flat Bolt)	11.02 FSPFJS288
	SPF Jacky 336 cm (With 7 No of Flat Bolt)	12.86 FSPFJS336
SPF Steel Filling (SF)		
	SPF SF 05 - 048 cm	1.97 FSPFSF05048
	SPF SF 05 - 144 cm	5.90 FSPFSF05144
	SPF SF 05 - 288 cm	11.80 FSPFSF05288
	SPF SF 10 - 048 cm	4.36 FSPFSF10048
	SPF SF 10 - 144 cm	13.07 FSPFSF10144
SPF SF 10 - 288 cm	26.14 FSPFSF10288	
SPF Waler		
 <i>Finish: Painted</i>	SPF Waler 030 cm	2.07 XFGSPFW0030
	SPF Waler 036 cm	2.48 XFGSPFW0036
	SPF Waler 048 cm	3.26 XFGSPFW0048
	SPF Waler 060 cm	4.04 XFGSPFW0060
	SPF Waler 072 cm	4.89 XFGSPFW0072
	SPF Waler 084 cm	5.67 XFGSPFW0084
	SPF Waler 096 cm	6.45 XFGSPFW0096
	SPF Waler 108 cm	7.23 XFGSPFW0108
	SPF Waler 120 cm	8.01 XFGSPFW0120
	SPF Waler 132 cm	8.86 XFGSPFW0132
	SPF Waler 135 cm	9.05 XFGSPFW1350
	SPF Waler 144 cm	9.64 XFGSPFW0144
	SPF Waler 156 cm	10.42 XFGSPFW0156
	SPF Waler 165 cm	11.20 XFGSPFW1650
	SPF Waler 168 cm	11.20 XFGSPFW0168
	SPF Waler 180 cm	11.98 XFGSPFW0180
	SPF Waler 192 cm	12.83 XFGSPFW0192
	SPF Waler 204 cm	13.61 XFGSPFW0204
	SPF Waler 216 cm	14.39 XFGSPFW0216
	SPF Waler 228 cm	15.17 XFGSPFW0228
	SPF Waler 240 cm	15.95 XFGSPFW0240
	SPF Waler 252 cm	16.80 XFGSPFW0252
	SPF Waler 264 cm	17.58 XFGSPFW0264
	SPF Waler 276 cm	18.36 XFGSPFW0276
	SPF Waler 288 cm	19.14 XFGSPFW0288
SPF Waler 300 cm	19.92 XFGSPFW0300	
SPF Waler 312 cm	20.77 XFGSPFW0312	
SPF Waler 324 cm	21.55 XFGSPFW0324	
SPF Waler 348 cm	23.11 XFGSPFW0348	
SPF Waler 360 cm	23.89 XFGSPFW0360	
SPF Key Bolt		
	SPF Key Bolt	0.35 XFGSPF001
SPF Steel Panel Lifting Bracket		
	SPF Steel Panel Lifting Bracket	1.59 XFGSPF005
SPF Steel Panel Prop Connector		
	SPF Steel Panel Prop Connector	0.62 XFGSPF003

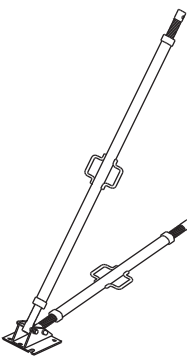
	Wt. (kg)	Code
Bolt, Nut and Washer		
	Bolt and Nut M12x100 (Half Threaded)	0.14 XFGGH1210
	Bolt and Nut M12x40 (Full Threaded) G8	0.10 XFGBF12040
	Bolt and Nut M16X150	0.33 XFGBF16150
	Bolt, Nut & Washer 16X100 mm	0.20 XFGBF16100
	Bolt, Nut & Washer 16X100 mm G10	0.25 XFGBG16100
	Bolt, Nut & Washer 16X40 mm	0.14 XFGBF16040
	Bolt, Nut & Washer 14X100 mm	0.15 XFGBF14100
	Bolt, Nut & Washer M12X80 (Carriage)	0.09 XFGBF12080
	Bolt, Nut & Washer 10X100 (Half Threaded)	0.08 XFGBH10100
	Bolt, Nut & Washer 10X75 (Full Threaded)	0.07 XFGBF10075
Bolt, Nut & Washer 10X30 mm	0.04 XFGBON10030W	
Bolt and Nut w/o Washer 06x40 mm GI	0.01 XFGBON0640GN	
SPF Slotted Tie Rod Bracket		
	SPF Slotted Tie Rod Bracket	3.59 FSPFSTRB01
SPF Steel Panel Connector		
	SPF Steel Panel Connector 150 Painted	0.35 XFGSPFPC150
	SPF Steel Panel Connector 200 Painted	0.41 XFGSPFPC200
	SPF Steel Panel Connector 250 Painted	0.48 XFGSPFPC250
SPF Column Adjustment Grider (CAG)		
	SPF CAG-48 cm Painted	3.25 FSPFCAG048
	SPF CAG-72 cm Painted	4.49 FSPFCAG072
	SPF CAG-96 cm Painted	5.70 FSPFCAG096
SPF Hex Bolt		
	SPF Hex Bolt 095 cm Painted	0.23 XFGSPF013
	SPF Hex Bolt 045 cm Painted	0.15 XFGSPF004
	SPF Hex Bolt 145 cm Painted	0.30 XFGSPFHB145
SPF Column Fine Adj. Bracket		
	SPF Column Fine Adj. Bracket 240 cm	1.83 XFGSPF002
SPF Lifting Bracket 54		
	SPF Lifting Bracket 54 (With 2 # M16 X 40 Bolt & Nut)	1.61 XFGSPF007

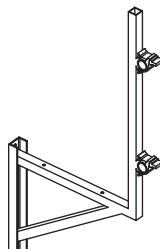
Finish: Painted

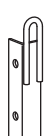
	Wt. (kg)	Code
Double Push Pull Props Double Adjustable (DPPPDA)		
	DPPPDA 150cm (E/P Collar) HD	20.00 FDPD10015030E
	DPPPDA 250cm (E/P Collar) HD	22.24 FDPD15025030E
	DPPPDA 300cm (E/P Collar) HD	24.36 FDPD17030030E
	DPPPDA 350cm (E/P Collar) HD	26.02 FDPD20035030E
	DPPPDA 400cm (E/P Collar) HD	27.26 FDPD25040030E
	DPPPDA 450cm (E/P Collar) HD	31.93 FDPD25045030E
	DPPPDA 500cm (E/P Collar) HD	33.61 FDPD30050030E
	DPPPDA 550cm (E/P Collar) HD	35.28 FDPD35055030E
	DPPPDA 600cm (E/P Collar) HD	36.96 FDPD40060030E

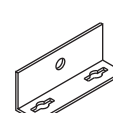
	Wt. (kg)	Code
Single Rocking Push-Pull Prop (SRPPP)		
	SRPPP 150cm (Painted Collar) HD	10.09 FRPP10015030P
	SRPPP 200cm (Painted Collar) HD	12.21 FRPP12020030P
	SRPPP 250cm (Painted Collar) HD	13.84 FRPP15025030P
	SRPPP 300cm (Painted Collar) HD	15.96 FRPP17030030P
	SRPPP 350cm (Painted Collar) HD	17.62 FRPP20035030P
	SRPPP 400cm (Painted Collar) HD	19.30 FRPP25040030P
	SRPPP 450cm (Painted Collar) HD	21.42 FRPP25045030P
	SRPPP 500cm (Painted Collar) HD	23.09 FRPP30050030P
	SRPPP 550cm (Painted Collar) HD	24.77 FRPP35055030P
	SRPPP 600cm (Painted Collar) HD	26.44 FRPP40060030P
	SRPPP 150cm (E/P Collar) HD	10.09 FRPP10015030E
	SRPPP 200cm (E/P Collar) HD	12.21 FRPP12020030E
	SRPPP 250cm (E/P Collar) HD	13.84 FRPP15025030E
	SRPPP 300cm (E/P Collar) HD	15.96 FRPP17030030E
	SRPPP 350cm (E/P Collar) HD	17.62 FRPP20035030E
	SRPPP 400cm (E/P Collar) HD	19.30 FRPP25040030E
	SRPPP 450cm (E/P Collar) HD	21.42 FRPP25045030E
	SRPPP 500cm (E/P Collar) HD	23.09 FRPP30050030E
	SRPPP 550cm (E/P Collar) HD	24.77 FRPP35055030E
	SRPPP 600cm (E/P Collar) HD	26.44 FRPP40060030E

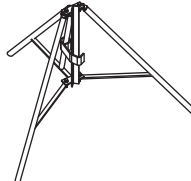
	Wt. (kg)	Code
Single Stabilizer (SS)		
	SS 48-150 cm Painted	8.83 FSZS3848P150
	SS 48-200 cm Painted	10.71 FSZS3848P200
	SS 48-250 cm Painted	12.63 FSZS3848P250
	SS 48-300 cm Painted	14.72 FSZS3848P300
	SS 48-350 cm Painted	16.80 FSZS3848P350
	SS 48-400 cm Painted	19.74 FSZS3848P400
	SS 48-150 cm E/P	8.83 FSZS3848E150
	SS 48-200 cm E/P	10.71 FSZS3848E200
	SS 48-250 cm E/P	12.63 FSZS3848E250
	SS 48-300 cm E/P	14.72 FSZS3848E300
	SS 48-350 cm E/P	16.80 FSZS3848E350
	SS 48-400 cm E/P	19.74 FSZS3848E400
	SS 60-150 cm Painted	10.70 FSZS3860P150
	SS 60-200 cm Painted	13.08 FSZS3860P200
	SS 60-250 cm Painted	15.55 FSZS3860P250
	SS 60-300 cm Painted	18.19 FSZS3860P300
	SS 60-350 cm Painted	20.84 FSZS3860P350
	SS 60-400 cm Painted	24.34 FSZS3860P400
	SS 60-450 cm Painted	26.99 FSZS3860P450
	SS 60-500 cm Painted	29.64 FSZS3860P500
	SS 60-550 cm Painted	32.28 FSZS3860P550
	SS 60-600 cm Painted	34.93 FSZS3860P600
	SS 60-700 cm Painted	40.22 FSZS3860P700
	SS 60-150 cm E/P	10.70 FSZS3860E150
	SS 60-200 cm E/P	13.08 FSZS3860E200
	SS 60-250 cm E/P	15.55 FSZS3860E250
	SS 60-300 cm E/P	18.19 FSZS3860E300
	SS 60-350 cm E/P	20.84 FSZS3860E350
	SS 60-400 cm E/P	24.34 FSZS3860E400
	SS 60-450 cm E/P	26.99 FSZS3860E450
	SS 60-500 cm E/P	29.64 FSZS3860E500
	SS 60-550 cm E/P	32.28 FSZS3860E550
	SS 60-600 cm E/P	34.93 FSZS3860E600
	SS 60-700 cm E/P	40.22 FSZS3860E700

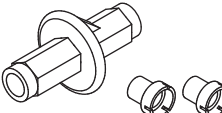
	Wt. (kg)	Code
Double Stabilizers (DS)		
	DS 48-250 cm Painted	24.47 FSZD3848P250
	DS 48-300 cm Painted	28.43 FSZD3848P300
	DS 48-350 cm Painted	30.51 FSZD3848P350
	DS 48-400 cm Painted	35.37 FSZD3848P400
	DS 48-250 cm E/P	24.47 FSZD3848E250
	DS 48-300 cm E/P	28.43 FSZD3848E300
	DS 48-350 cm E/P	30.51 FSZD3848E350
	DS 48-400 cm E/P	35.37 FSZD3848E400
	DS 60-250 cm Painted	29.25 FSZD3860P250
	DS 60-300 cm Painted	34.28 FSZD3860P300
	DS 60-350 cm Painted	36.92 FSZD3860P350
	DS 60-400 cm Painted	40.42 FSZD3860P400
	DS 60-450 cm Painted	45.53 FSZD3860P450
	DS 60-500 cm Painted	48.18 FSZD3860P500
	DS 60-550 cm Painted	50.83 FSZD3860P550
	DS 60-250 cm E/P	29.25 FSZD3860E250
	DS 60-300 cm E/P	34.28 FSZD3860E300
	DS 60-350 cm E/P	36.92 FSZD3860E350
	DS 60-400 cm E/P	40.42 FSZD3860E400
	DS 60-450 cm E/P	45.53 FSZD3860E450
	DS 60-500 cm E/P	48.18 FSZD3860E500
	DS 60-550 cm E/P	50.83 FSZD3860E550


	Wt. (kg)	Code
Steel Panel Access Bracket		
	Steel Panel Access Bracket Painted	9.40 XFGSPFPAB
	<i>Finish: Painted</i>	


	Wt. (kg)	Code
SPF Lifting Bracket 70		
	SPF Lifting Bracket 70cm	3.37 XFGSPF017
	<i>Finish: Painted</i>	

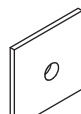
	Wt. (kg)	Code
SPF Tie Rod Bracket		
	SPF Tie Rod Bracket (With 2 # M16 X 40 Bolt & Nut)	1.16 XFGSPF008
	<i>Finish: Painted</i>	

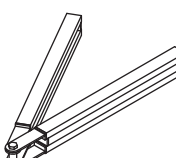
	Wt. (kg)	Code
Tripod		
	Tripod Painted Blue	10.20 XESTPD
	<i>Finish: Painted Blue</i>	


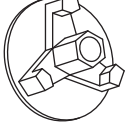
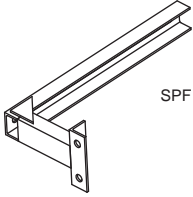
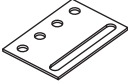
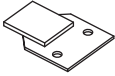
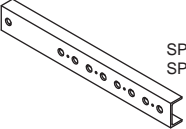
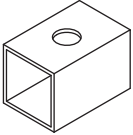
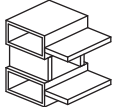
	Wt. (kg)	Code
Water Stopper		
	Water Stopper GI-Finish	0.56 XFGWSE
	Water Reducer	0.09 XWSSP050
	<i>Plastic Reducer</i>	

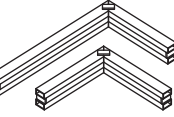
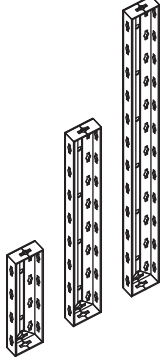
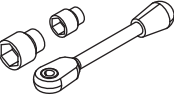
	Wt. (kg)	Code
Plastic Cone		
	Plastic Cone	0.01 XFGCONE

	Wt. (kg)	Code
Plastic Sleeve 1M		
	Plastic Sleeve 1M	0.15 XFGPSL100
	<i>One Meter length For the required length use multiple of one meter</i>	

	Wt. (kg)	Code
SPF Counter Plate		
	SPF Counter Plate 75 X 75 X 8 mm	0.33 XFGSPFCP001
	<i>Finish: Painted</i>	

	Wt. (kg)	Code
SPF Adj Corner Waler		
	SPF Adj Corner Waler - Painted	10.58 XFGSPFACWP01

	Wt. (kg)	Code
Wing Nut		
	0.30	XFGWNUTE
Wing Nut E/P Wing Nut 36 mm GI	0.37	XFGWNUTG36
<i>Finish: Electroplated</i>		
Round Wing Nut		
	0.63	XANUT15100
Round Wing Nut (Anchor Nut)		
<i>Finish: Electroplated DIA.: 100 mm</i>		
SPF Foundation Fine Adj. Bracket		
	4.62	XFGSPF009
SPF Foundation Fine Adj. Bracket		
SPF Foundation Fine Adj. Plate		
	1.43	XFGSPF010
SPF Foundation Fine Adj. Plate (With 4 # M16 X 40 Bolt & Nut) Painted		
SPF Floor Bracket		
	0.95	XFGSPF010
SPF Floor Bracket		
SPF Adj. End Waler		
	3.33	XFGSPFACWP01
SPF Adj. End Waler 600 SPF Adj. End Waler 600 (W)	3.33	XFGSPFAEW600
SPF Bearing Tube 75 mm		
	0.32	FSPFBTP075
SPF Bearing Tube 75 mm - Painted		
SPF Waler Bracket		
	0.68	XFGSPFWB
SPF Waler Bracket - Painted		

	Wt. (kg)	Code
SPF Corner Waler (CW)		
	5.17	XFGSPFCW09001
SPF CW 090 - 35 X 35 cm	7.12	XFGSPFCW09002
SPF CW 090 - 65 X 35 cm	4.59	XFGSPFCW090030
SPF CW 090 - 030 cm	6.51	XFGSPFCW090045
SPF CW 090 - 045 cm	8.47	XFGSPFCW090060
SPF CW 090 - 060 cm	12.53	XFGSPFCW090090
SPF CW 090 - 090 cm	4.85	XFGSPFCW090300
SPF CW 090 - 300 cm	6.85	XFGSPFCW090450
SPF CW 090 - 450 cm	8.87	XFGSPFCW090600
SPF CW 090 - 600 cm	2.40	XFGSPFCW108018
SPF CW 108 - 018 cm	3.96	XFGSPFCW108030
SPF CW 108 - 030 cm	3.56	XFGSPFCW136027
SPF CW 136 - 027 cm	5.68	XFGSPFCW136043
SPF CW 136 - 043 cm		
SPF Steel Strongback (SS)		
	4.95	FSPFSSB048
SPF SS 048 cm	14.08	FSPFSSB144
SPF SS 144 cm	27.76	FSPFSSB288
SPF SS 288 cm		
SPF SS 048 cm With Plywood	4.17	FSPFSSB048W
SPF SS 144 cm With Plywood	11.74	FSPFSSB144W
SPF SS 288 cm With Plywood	23.09	FSPFSSB288W
SPF SS 048 cm Without Plywood	3.61	FSPFSSB048N
SPF SS 144 cm Without Plywood	10.06	FSPFSSB144N
SPF SS 288 cm Without Plywood	19.74	FSPFSSB288N
SPF Ratchet Spanner With Deep Socket		
	1.00	XFGSPF018
SPF Ratchet Spanner with Deep Socket (T335532)		



Abu Dhabi

Dubai

T: +971 2 5500688

T: +971 4 8862855

F: +971 2 5500689

F: +971 4 5562558

P.O. BOX: 41851, Abu Dhabi, UAE

P.O. BOX: 18234, Jebel Ali, UAE

WWW.SCAFFCO.COM